

Datasheet

→ **RKTME** 

04/14/2026



Technical data

Membrane pushbutton head

| | |
|-----------|------------|
| Type | RKTME |
| Series | OKTRON®-R |
| Rubric | Pushbutton |
| Approvals | CE, CCC |



→ General data

| | |
|----------------------------|--|
| Design | Round |
| Illumination | Yes |
| Labelling option | Yes |
| Operating temperature | -30 °C ... 70 °C without illumination -30 °C ... 65 °C for LED illumination |
| Panel cut-out | Ø 16.2 mm |
| Lens colour | White |
| Front bezel colour | Black |
| Weight | 5.6 g |
| Storage temperature | -40 °C ... 85 °C |
| Degree of protection front | IP65 IP67 |

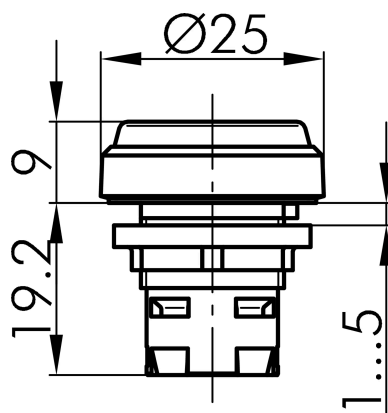
→ Mechanical data

Operating travel 3 mm

Mounting position Any

Technical drawings

→ Dimensional drawing



→ Cutout dimensions

