

Datasheet

→ QRSSA12E_RSW

03/09/2026



Technical data

Key actuator, maintained

Type	QRSSA12E_RSW
Series	QUARTEX®R
Rubric	Key-operated switch



→ General data

Design	Square
Panel cut-out	Ø 22.3 mm
Front bezel colour	Charcoal
Front ring colour	Black
Degree of protection front	IP65

→ Mechanical data

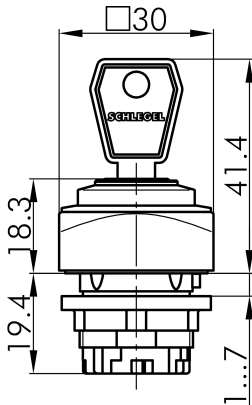
Switching function	Latching function
Switching position	-90° maintained, key removable 0° key removable 90° maintained, key removable

Note

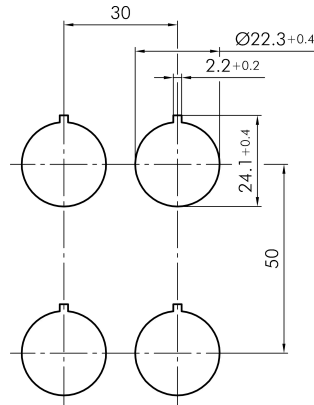
- Includes 2 keys
- Different locking possible on request

Technical drawings

→ Dimensional drawing



→ Cutout dimensions



→ Position indicator

