

Datasheet

→ **QRBLUVOOI_C1190** 

06/08/2026



Technical data

Emergency stop with illuminated anti-lock collar

Type	QRBLUVOOI_C1190
Series	QUARTEX® connect
Rubric	Emergency-stop
Approvals	CE, TÜV_Süd, cURus



→ General data

Connecting cable	< 30 m
Design	Round
Illumination	Yes
Operating temperature	-30 °C ... 70 °C
Panel cut-out	Ø 22.3 mm
Mounting plate thickness	1 mm ... 5 mm fixing nut M22
Mounting depth	27.5 mm
Lens colour	Red
Enclosure colour	Yellow
Contact material	AgNi
Storage temperature	-40 °C ... 80 °C
Standards	EN 60947-5-1 EN 60947-5-5 EN ISO 13850 EN 60068-2-1/-2-2/-2-30

Degree of protection front	IP65
Degree of protection rear	IP54 with connected M12
Degree of protection NEMA information acc. to UL	NEMA 1 indoor (front face)

Lit when actuated

Safety instructions / installation instructions

- Not suitable for use under water
- Only for use in dry indoor areas
- Follow the operating instructions!

→ Electrical data

Conditional short circuit current	1000 A
Rated operating voltage IEC/EN 60947-5-1	35 V AC 35 V DC
Rated operating current IEC/EN 60947-5-1	2 A AC 2 A DC
Rated insulation voltage IEC/EN 60947-5-1	50 V AC 50 V DC
Rated impulse withstand voltage	2.5 kV contact block
Contact resistance	< 50 mΩ NC new state
Electrical lifetime	50,000 switching cycles at rated voltage
Utilisation category IEC/EN 60947-5-1	AC-15 DC-13
Contact type	2NC
Short circuit protection SCPD	Safety fuse 2 A gG
Illuminant	LED
Operating voltage illuminant	max. 24 V DC ± 10 %
Operating current illuminant	max. 50 mA DC at 24 V
Illuminant colour	White

<i>Bouncing time</i>	< 10 ms NC
<i>Rating information acc. to UL</i>	Ui 50 V 30 V AC/DC 2 A AC/DC Ith 2 A
<i>Switching capacity</i>	35 V AC/DC 2 A AC/DC
<i>Thermal continuous current IEC/EN 60947-5-1</i>	2 A AC 2 A DC
<i>Overvoltage category</i>	II
<i>Pollution degree</i>	2

Safety instructions / installation instructions

- The connector must not be connected or disconnected under load
- The individual connector pin may be loaded with max. 2A

Pin assignment

Pin1	COM: NC1(11), NO1(LED+)
Pin2	NC2 (22)
Pin3	LED-
Pin4	NC1 (12)
Pin5	NC2 (21)

→ Mechanical data

<i>Connection</i>	M12 connector 5-polig A coded
<i>Operating force</i>	Abt. 30 N ... 40 N at 20 mm/min
<i>Anti-lock collar</i>	Yes
<i>Tightening torque connection</i>	max. 0.4 Nm
<i>Tightening torque fixing nut</i>	1 Nm ... 1.9 Nm
<i>Mounting position</i>	Any
<i>Release</i>	Twist to release left/right

<i>Mechanical lifetime</i>	50,000 switching cycles
<i>Switching function</i>	Latching function
<i>Switching position indicator</i>	Yes
<i>Torque information acc. to UL</i>	1 Nm ... 1.9 Nm head nut
<i>Foolproof</i>	Yes
<i>Positive opening</i>	Acc. to EN60947-5-1, appendix K

Safety instructions / installation instructions

- The M12 connection must not be subjected to mechanical loads, ensure sufficient strain relief!
- Observe the torque specifications for the mounting nut, use mounting wrench S22

Installation panel thickness

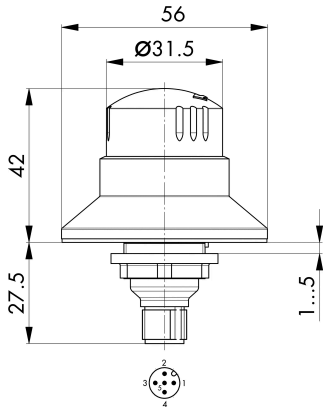
- With protective collar QRSK64(S): 1.0 mm ... 4.0 mm
Fastening nut: use nut M15.277.4B supplied with the protective collar!

→ Safety data

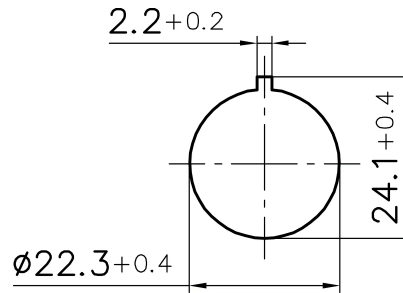
<i>B10d</i>	250,000 5 V / 6 mA
<i>Lifetime</i>	20 % NC

Technical drawings

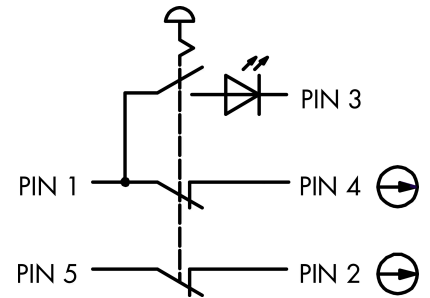
→ Dimensional drawing



→ Cutout dimensions



→ Circuit diagram



Awards



reddot winner 2023
industrial design



FOCUS OPEN 2024
Special Mention