

# Datasheet

## → RVASSA13E\_SW

03/10/2026



### Technical data

Key actuator, maintained

Type	RVASSA13E_SW
Series	RVA
Rubric	Key-operated switch
Approvals	CE, UKCA



### → General data

Design	Round
Operating temperature	-25 °C ... 70 °C
Panel cut-out	Ø 22.3 mm
Lens colour	Stainless steel
Front bezel colour	Stainless steel
Front ring colour	Black
Storage temperature	-40 °C ... 80 °C
Degree of protection front	IP65

### → Mechanical data

Operating travel	± 45 °
Mounting plate thickness	1 mm ... 7 mm
Switching function	Latching function

Switching position

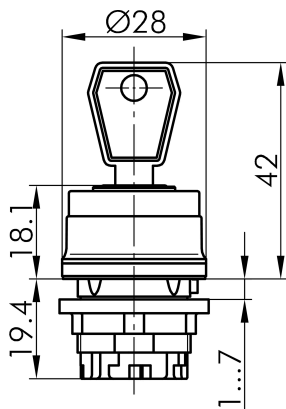
-90° maintained  
0° key removable  
90° maintained

**Note**

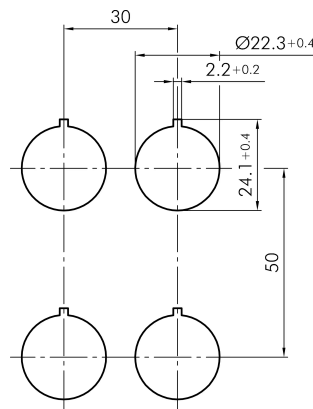
- Includes 2 keys
- Different locking possible on request

**Technical drawings**

→ Dimensional drawing



→ Cutout dimensions



→ Position indicator

