

Datasheet

→ **QRSKUVOO_C0111** 

04/22/2026



Technical data

Emergency stop with protective collar

Type	QRSKUVOO_C0111
Series	QUARTEX® connect
Rubric	Emergency-stop
Approvals	CE, UKCA, TÜV_Süd, cURus



→ General data

Connecting cable	< 30 m
Design	Round
Operating temperature	-30 °C ... 70 °C
Panel cut-out	Ø 22.3 mm
Mounting depth	28.5 mm
Lens colour	Red
Enclosure colour	Yellow
Contact material	AgNi
Storage temperature	-40 °C ... 80 °C
Standards	EN 60947-5-1 EN 60947-5-5 EN ISO 13850 EN 60068-2-1/-2-2/-2-30
Degree of protection front	IP65

Degree of protection rear IP65 with connected M12

Degree of protection NEMA information acc. to UL NEMA 1 indoor (front face)

Safety instructions / installation instructions

- Not suitable for use under water
- Use only in dry indoor area
- Observe operating instructions!

→ Electrical data

Conditional short circuit current 1000 A

Rated operating voltage IEC/EN 60947-5-1 35 V AC
35 V DC

Rated operating current IEC/EN 60947-5-1 2 A AC
2 A DC

Rated insulation voltage IEC/EN 60947-5-1 50 V AC
50 V DC

Rated impulse withstand voltage 2.5 kV contact block

Contact resistance < 50 mΩ NC

Electrical lifetime 50,000 switching cycles

Utilisation category IEC/EN 60947-5-1 AC-15
DC-13

Contact type 2NC

Short circuit protection SCPD Safety fuse 2 A gG

Bouncing time < 10 ms NC

Rating information acc. to UL Ui 50 V
35 V AC/DC
2 A AC/DC
Ith 2 A

Switching capacity 35 A AC/DC
2 A AC/DC

Thermal continuous current IEC/EN 60947-5-1 2 A AC
2 A DC

Overvoltage category II

Pollution degree 2

Safety instructions / installation instructions

- The connector must not be connected or disconnected under load
- The individual connector pin may be loaded with max. 2 A

Pin assignment

Pin 1	NC1 (11)
Pin 2	NC2 (22)
Pin 3	LED-
Pin 4	NC1 (12)
Pin 5	NC2 (21)

→ Mechanical data

Connection M12 connector 5-polig A coded, AIDA

Operating force Abt. 30 N ... 40 N at 20 mm/min

Anti-lock collar Yes

Tightening torque connection max. 0.4 Nm

Tightening torque fixing nut 1 Nm ... 1.9 Nm

Mounting position Any

Mounting plate thickness 1 mm ... 5 mm fixing nut M22

Release Twist to release left/right

Mechanical lifetime 50,000 switching cycles

Switching function Latching function

Switching position indicator Yes

Torque
information acc. to UL

1 Nm ... 1.9 Nm head nut

Foolproof

Yes

Positive opening

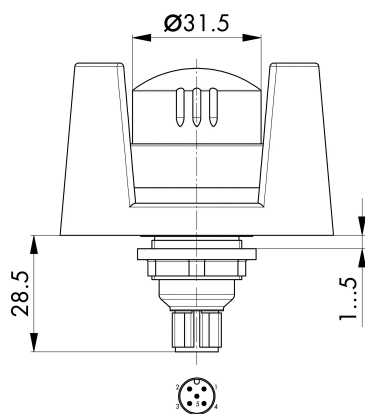
Acc. to EN60947-5-1, appendix K

Safety instructions / installation instructions

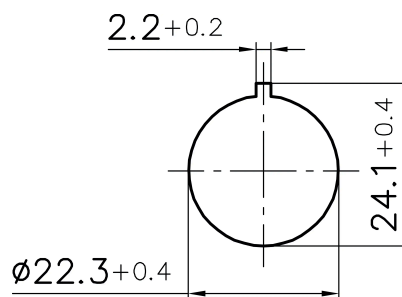
- The M12 connection must not be subjected to mechanical loads, ensure sufficient strain relief!
- Observe the torque specifications for the mounting nut, use mounting wrench S22

Technical drawings

→ Dimensional drawing



→ Cutout dimensions



→ Circuit diagram

