

# Datasheet

→ **SNLRB** 

02/06/2026



## Technical data

Pilot light head with ring illumination

Type	SNLRB
Series	SHORTRON® base-plate mounting
Rubric	Pilot light head/pilot lights
Approvals	CE, cURus, DNV, ENEC10, VDE, UKCA



## → General data

Design	Round
Illumination	Yes
Labelling option	Yes
Operating temperature	-25 °C ... 70 °C
Panel cut-out	Ø 22.3 mm
Front bezel colour	Silver-coloured
Colour illuminated ring	Blue
Storage temperature	-40 °C ... 80 °C
Standards	EN 60947-5-1 EN 61058-1
Ring illumination	Yes
Degree of protection front	IP65 IP67

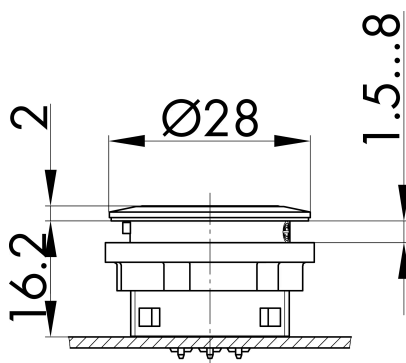
## → Mechanical data

Tightening torque fixing nut 1.5 Nm ... 1.9 Nm

Mounting position Any

## Technical drawings

→ Dimensional drawing



→ Cutout dimensions

