

Datasheet

→ **FRVKOOIP** 

04/24/2026



Technical data

Emergency stop for PCB mounting

Type	FRVKOOIP
Series	SHORTRON®
Rubric	Emergency-stop
Approvals	CCC, CE, cURus, TÜV_Süd, UKCA



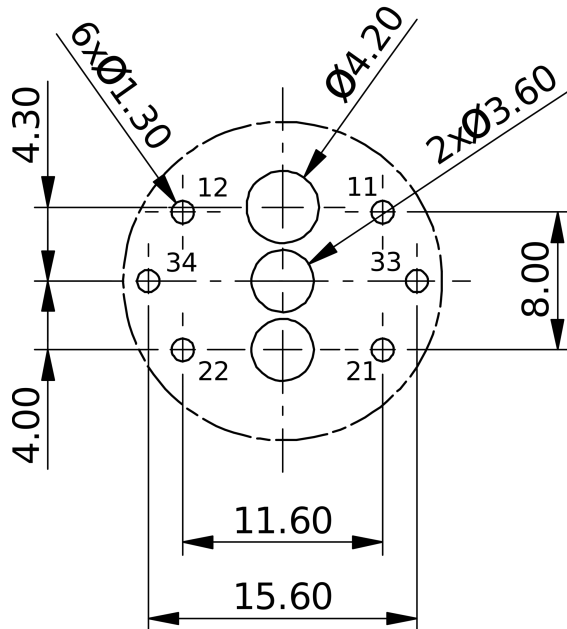
→ General data

Design	Round
Operating temperature	-25 °C ... 70 °C
Panel cut-out	Ø 22.3 mm
Mounting depth	12 mm
Lens colour	Red
Enclosure colour	Yellow
Contact material	AgNi
Storage temperature	-40 °C ... 80 °C
Standards	EN 60947-5-1 EN 60947-5-5 EN ISO 13850
Degree of protection front	IP65 IP67
Degree of protection NEMA information acc. to UL	NEMA 4x indoor (front face)

→ Electrical data

<i>Conditional short circuit current</i>	1000 A
<i>Rated operating voltage IEC/EN 60947-5-1</i>	240 V AC 120 V AC 250 V DC 125 V DC 60 V DC 24 V DC
<i>Rated operating current IEC/EN 60947-5-1</i>	1.5 A AC 3 A AC 0.27 A DC 0.55 A DC 1 A DC 2 A DC
<i>Rated insulation voltage IEC/EN 60947-5-1</i>	250 V AC/DC
<i>Rated impulse withstand voltage</i>	2.5 kV
<i>Contact resistance</i>	< 50 mΩ NO new state < 50 mΩ NC new state
<i>Electrical lifetime</i>	50,000 switching cycles at rated voltage
<i>Utilisation category IEC/EN 60947-5-1</i>	AC-15 B300 DC-13 Q300
<i>Contact type</i>	2NC 1NO
<i>Short circuit protection SCPD</i>	6 A Char. D
<i>Bouncing time</i>	< 10 ms NC < 10 ms NO
<i>Rating information acc. to UL</i>	B300 24 V / 3 A DC
<i>Switching capacity</i>	240 V AC/DC 1.5 A
<i>Breaking capacity IEC/EN 60947-5-1</i>	10 I _e AC 1.1 I _e DC
<i>Thermal continuous current IEC/EN 60947-5-1</i>	5 A AC
<i>Overvoltage category</i>	II
<i>Pollution degree</i>	2

Note on the drilling pattern for the contact element



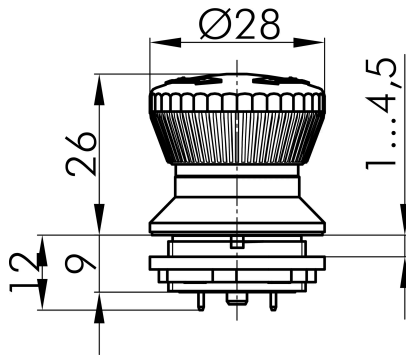
View of the component side of the PCB

→ Mechanical data

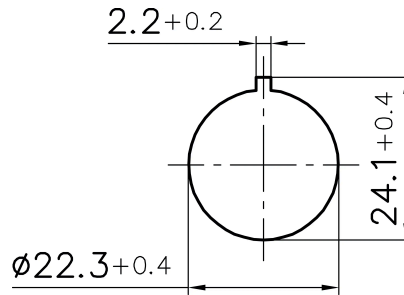
<i>Connection</i>	PCB-mount terminals
<i>Tightening torque fixing nut</i>	1.3 Nm ... 1.9 Nm
<i>Mounting position</i>	Any
<i>Mounting plate thickness</i>	1 mm ... 4.5 mm
<i>Release</i>	Twist to release left/right
<i>Mechanical lifetime</i>	50,000 switching cycles
<i>Switching position indicator</i>	Yes
<i>Torque information acc. to UL</i>	1.3 Nm ... 1.9 Nm head nut
<i>Foolproof</i>	Yes
<i>Positive opening</i>	Acc. to EN60947-5-1, appendix K

Technical drawings

→ Dimensional drawing



→ Cutout dimensions



→ Circuit diagram

