

Datasheet

→ **STLI** 

03/11/2026



Technical data

Illuminated pushbutton

Type	STLI
Series	SHORTRON®
Rubric	Pushbutton
Approvals	CCC, CE, cURus, DNV, ENEC10, VDE, UKCA



→ General data

Design	Round
Illumination	Yes
Labelling option	Yes
Operating temperature	-25 °C ... 70 °C
Panel cut-out	Ø 22.3 mm
Mounting depth	16 mm
Lens colour	Clear
Front bezel colour	Silver-coloured
Contact material	AgNi
Storage temperature	-40 °C ... 80 °C
Standards	EN 60947-5-1 EN 61058-1
Degree of protection front	IP65 IP67
Material group	I

→ Electrical data

<i>Rated operating voltage</i> IEC/EN 60947-5-1	240 V AC 120 V AC 250 V DC 125 V DC 60 V DC 24 V DC
<i>Rated operating current</i> IEC/EN 60947-5-1	1.5 A AC 3 A AC 0.27 A DC 0.55 A DC 1 A DC 2 A DC
<i>Rated insulation voltage</i> IEC/EN 60947-5-1	250 V AC 250 V DC
<i>Rated voltage</i>	250 V AC
<i>Rated current</i>	6(4) A
<i>Contact resistance</i>	< 20 mΩ NO
<i>Electrical lifetime</i>	1,000,000 switching cycles at rated voltage > 100,000 switching cycles DC13
<i>Utilisation category</i> IEC/EN 60947-5-1	AC-15 B300 DC-13 Q300
<i>Contact type</i>	1NO
<i>Illuminant power</i>	max. 14 mA DC 24 V
<i>Illuminant</i>	LED integrated
<i>Illuminant connection</i>	X1...anode, X2...cathode
<i>Operating voltage illuminant</i>	max. 30 V AC/DC
<i>Illuminant colour</i>	White
<i>Bouncing time</i>	< 10 ms NO
<i>Rating information acc. to UL</i>	Pilot duty B300 24 V DC Pilot duty B300 3 A DC
<i>Switching capacity</i>	240 V AC 1.5 A 250 V AC 6 (4) A

Breaking capacity IEC/EN 60947-5-1	10 I _e AC 1.1 I _e DC
---------------------------------------	---

Minimum voltage	5 V
-----------------	-----

Current minimal	1 mA under laboratory conditions
-----------------	----------------------------------

Thermal continuous current IEC/EN 60947-5-1	5 A AC
--	--------

Overvoltage category	II
----------------------	----

Pollution degree	2
------------------	---

→ Mechanical data

Connection	Faston terminals 2.8 mm x 0.8 mm
------------	----------------------------------

Operating travel	2.3 mm
------------------	--------

Tightening torque fixing nut	1.5 Nm ... 1.9 Nm
------------------------------	-------------------

Mounting position	Any
-------------------	-----

Mechanical lifetime	1,000,000 switching cycles
---------------------	----------------------------

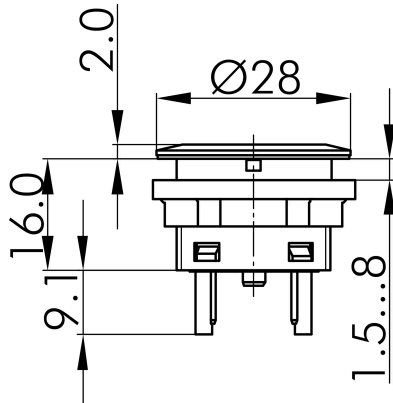
Switching function	Momentary function
--------------------	--------------------

Note

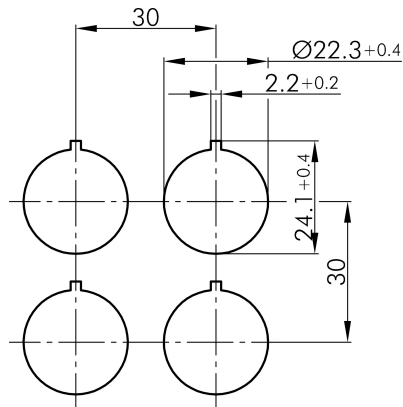
- Designs for blade terminals: use partially or fully insulated blade receptacles

Technical drawings

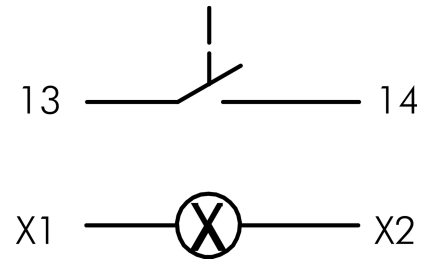
→ Dimensional drawing



→ Cutout dimensions



→ Circuit diagram



→ Switching path diagram

