

## Datasheet

→ **YKTSP** 

11/11/2025

**Technical data**

Pushbutton, non-transparent lens

|           |                 |
|-----------|-----------------|
| Type      | YKTSP           |
| Series    | mYnitron®       |
| Rubric    | Pushbutton      |
| Approvals | CE, cURus, UKCA |

→ **General data**

|  |  |
|--|--|
| Design                                   | Round  |
| Operating temperature                    | -25 °C ... 70 °C                             |
| Broadband noise<br>DIN EN 60068-2-64, FH | 5 g bis 10 Hz ... 500 Hz                     |
| Panel cut-out                            | Ø 16.2 mm                                    |
| Mounting depth                           | 14 mm  |
| Lens colour                              | Black  |
| Front bezel colour                       | Black  |
| Weight                                   | 4 g  |
| Contact material                         | Stainless steel 1.4310 0.2 µm Ni + 0.2 µm Au |
| Storage temperature                      | -40 °C ... 80 °C                             |
| Standards                                | IEC/EN 60947-5-1                             |
| Grid spacing                             | 25 x 25 mm                                   |
| Salt spray resistance<br>IEC 60068-2-11  | Ja   |

Shock resistance  
IEC 60068-2-27 15 g at 11 ms amplitude, half-sinusoidal

Degree of protection front  
IP65  
IP67  
IP69K

Vibration resistance  
IEC 60068-2-6 5 g bei 10 bis 500 Hz

## → Electrical data

Rated operating voltage  
IEC/EN 60947-5-1 35 V AC  
35 V DC

Rated operating current  
IEC/EN 60947-5-1 0.1 A AC  
0.1 A DC

Rated insulation voltage  
IEC/EN 60947-5-1 50 V AC  
50 V DC

Contact resistance < 100 mΩ NO new state

Electrical lifetime 1,000,000 switching cycles at rated voltage

Enclosure type  
information acc. to UL Type 1

Utilisation category  
IEC/EN 60947-5-1 AC12  
DC12

Contact type 1NO

Bouncing time < 1 ms NO

Rating  
information acc. to UL max. 48 V AC/DC  
max. 100 mA  
max. 1 W  
Resistive load

Switching capacity 35 V  
100 mA AC/DC

Breaking capacity  
IEC/EN 60947-5-1 1 W AC Ohmsche Last  
1 W DC Ohmsche Last

Minimum voltage 20 mV

Current minimal 10 μA

Thermal continuous current  
IEC/EN 60947-5-1 100 mA AC  
100 mA DC

Overvoltage category II

Pollution degree 2

### → Mechanical data

Connection PCB-mount terminals

Operating force 4 Nm ... 7 Nm

Operating travel 1.8 mm

Tightening torque fixing nut 0.7 Nm ... 1 Nm

Mounting position Any

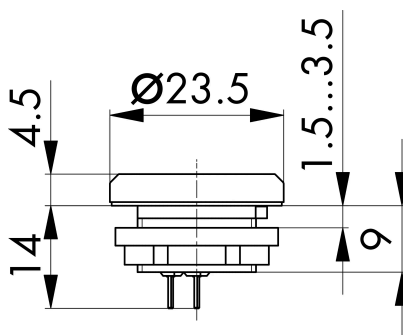
Mechanical lifetime 1,000,000 switching cycles

### Note

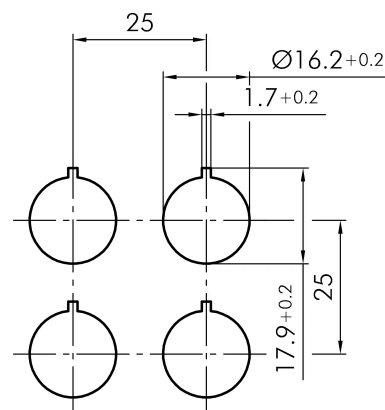
- The flat plug contacts must not be subjected to mechanical stress, ensure sufficient strain relief!

## Technical drawings

### → Dimensional drawing



### → Cutout dimensions



### → Circuit diagram

