

Datasheet

→ **OKSTBLM_GB** 

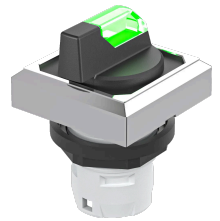
10/31/2024



Technical Data

-

<i>Series</i>	OKTRON®
<i>Rubric</i>	Selector head
<i>Shape</i>	square



→ General Data

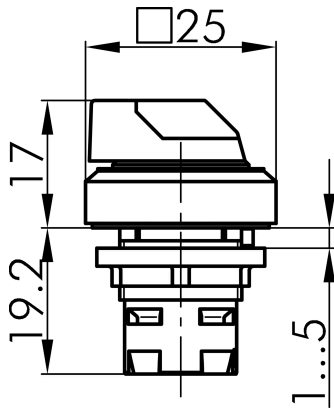
<i>Illumination</i>	Yes
<i>Protection class</i>	IP65
<i>Mounting aperture</i>	Ø 16.2 mm
<i>Front frame color</i>	silver colored
<i>Actuator color</i>	yellow

→ Mechanical Data

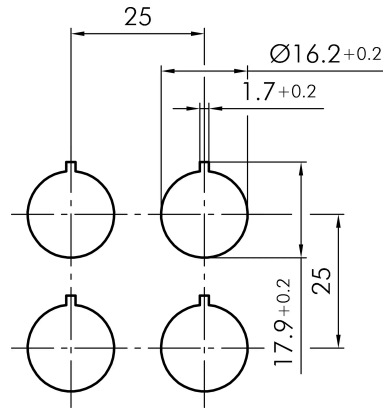
<i>Switching function</i>	Momentary function
<i>Switching position</i>	-40° momentary 0° Idle position 40° momentary

Technical Drawings

→ Dimensional drawing



→ Cutout dimensions



→ Position indicator

