

# Datasheet

## → KRBUVOO\_M11

04/01/2026



### Technical data

Emergency stop with blocking protection collar

Type	KRBUVOO_M11
Series	KOMBITAST® M12
Rubric	Emergency-stop
Approvals	CE, UKCA



### → General data

Design	Round
Operating temperature	-40 °C ... 70 °C
Panel cut-out	Ø 30.5 mm
Mounting depth	39 mm
Lens colour	Red
Enclosure colour	Yellow
Weight	59.6 g
Contact material	AgNi
Storage temperature	-40 °C ... 80 °C
Standards	EN 60947-5-1 EN 60947-5-5 EN ISO 13850
Shock resistance IEC 60068-2-27	50 g at 11 ms amplitude, half-sinusoidal

Degree of protection front	IP65 IP69K
----------------------------	---------------

Degree of protection rear	IP65 IP67
---------------------------	--------------

Material group	I
----------------	---

### Notes

- Red mushroom button made of UV-stabilized material
- Approvals required: VDE or TÜV (according to EN60947-5-1/5-5, EN 13850)
- Follow operating instructions

### → Electrical data

Conditional short circuit current	1000 A
-----------------------------------	--------

Rated operating voltage IEC/EN 60947-5-1	35 V AC 35 V DC
---	--------------------

Rated operating current IEC/EN 60947-5-1	4 A AC 2 A DC
---	------------------

Rated insulation voltage IEC/EN 60947-5-1	50 V AC 50 V DC
--	--------------------

Rated impulse withstand voltage	2.5 kV contact block
---------------------------------	----------------------

Contact resistance	< 100 mΩ NC
--------------------	-------------

Electrical lifetime	50,000 switching cycles at rated voltage
---------------------	--

Utilisation category IEC/EN 60947-5-1	AC-15 DC-13
--	----------------

Contact type	2NC
--------------	-----

Short circuit protection SCPD	Safety fuse 4 A gG
-------------------------------	--------------------

Conductor cross section	0.5 mm <sup>2</sup>
-------------------------	---------------------

Bouncing time	< 10 ms NC
---------------	------------

Switching capacity	35 V AC/DC 4 A 35 V DC 2 A
--------------------	-------------------------------------

Breaking capacity  
IEC/EN 60947-5-1 10 Ie AC  
1.1 Ie DC

Thermal continuous current  
IEC/EN 60947-5-1 4 A AC  
4 A DC

Overvoltage category II

Pollution degree 2

### Safety instructions / installation instructions

- Suitable for devices of protection class II
- The individual plug pin may be loaded with max. 4A (Ith)

### Pin assignment emergency stop

Pin	Contact
1	NC(1)
2	NC(1)
3	NC(2)
4	NC(2)

### Additional electrical service life data

<b>DC13 12V /4A (M12-4pin plug)</b>	
Lifetime	50T cycles at 10 Actuations per minute
B10d	250.000 / lifetime: 20%
<b>DC13 35V /3A</b>	
Lifetime	20T cycles at 10 actuations per minute
B10d	157.500 / Lifetime: 20%
<b>DC 5V / 6mA</b>	
Lifetime	20T cycles at 15 actuations per minute
B10d	350.000 / service life: 20%

## → Mechanical data

Connection M12 connector 4-polig A coded PUR cable, wires 4 x 0.5 mm<sup>2</sup> AWG21

Operating force Abt. 30 N ... 40 N at 20 mm/min

<i>Operating travel</i>	4.7 mm
<i>Anti-lock collar</i>	Yes
<i>Tightening torque fixing nut</i>	1.2 Nm ... 2.2 Nm
<i>Mounting position</i>	Any
<i>Mounting plate thickness</i>	1.5 mm ... 6 mm
<i>Release</i>	Twist to release left/right
<i>IK protection class</i>	IK06 (1 Joule)
<i>Cable length</i>	250 mm
<i>Mechanical lifetime</i>	50,000 switching cycles
<i>Switching function</i>	Latching function
<i>Switching position indicator</i>	Yes
<i>Foolproof</i>	Yes
<i>Positive opening</i>	Acc. to EN60947-5-1, appendix K

### General information

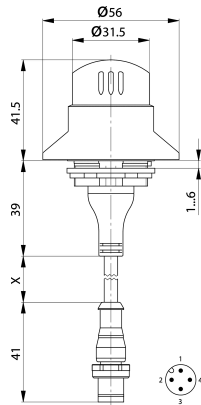
- Mechanical endurance test according to EN 60947-5-5 at Tu -40°...+70°C
- Robustness test according to EN 60947-5-5 section 7.3.2 at Tu -40°...+40°C
- Impact test according to EN 60947-5-5 at Tu -30°...+70°C

### Notes on the cable

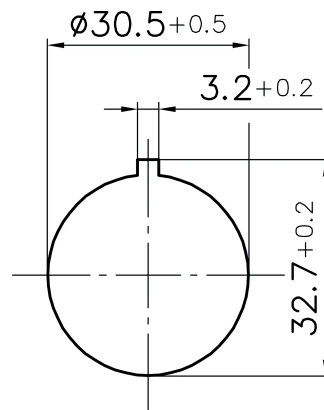
Property	Data
Material (housing)	TPU
Gasket material	TPU molded gasket (axial & radial acting)
Outer Ø	4.9 mm ±0,2 mm
Color	Black
Bending radius (fixed)	5× outer-Ø
Bending radius (moving)	10× outer-Ø
Torque M12 connector	0,6 Nm

## Technical drawings

→ Dimensional drawing



→ Cutout dimensions



→ Circuit diagram

