

Datasheet

→ **SVAT** 

06/09/2026



Technical data

Pushbutton head

Type	SVAT
Series	SHORTRON® base-plate mounting
Rubric	Pushbutton
Approvals	CCC, CE, cURus, ENEC10, VDE, UKCA



→ General data

Design	Round
Illumination	Yes
Labelling option	Yes
Operating temperature	-25 °C ... 70 °C
Panel cut-out	Ø 22.3 mm
Front bezel colour	Stainless steel
Storage temperature	-40 °C ... 80 °C
Degree of protection front	IP65 IP67
Material group	I

→ Electrical data

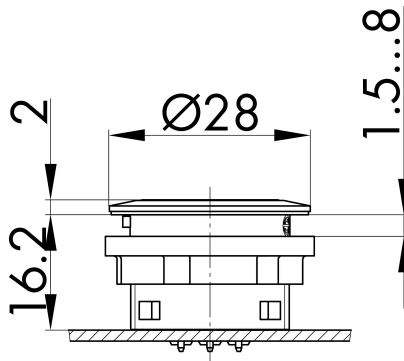
Overvoltage category	III
Pollution degree	3

→ Mechanical data

<i>Operating travel</i>	2.3 mm
<i>Tightening torque fixing nut</i>	1.5 Nm ... 1.9 Nm
<i>Mounting position</i>	Any
<i>Mechanical lifetime</i>	1,000,000 switching cycles

Technical drawings

→ Dimensional drawing



→ Cutout dimensions

