

Datasheet

→ SSSA16

02/03/2026



Technical data

Key switch maintained

Type	SSSA16
Series	SHORTRON® base-plate mounting
Rubric	Key-operated switch
Approvals	CCC, CE, cURus, DNV, ENEC10, VDE, UKCA



→ General data

Design	Round
Operating temperature	-25 °C ... 70 °C
Panel cut-out	Ø 22.3 mm
Front bezel colour	Silver-coloured
Storage temperature	-40 °C ... 80 °C
Degree of protection front	IP65

→ Mechanical data

Tightening torque fixing nut	1.5 Nm ... 1.9 Nm
Mounting position	Any
Mounting plate thickness	1.5 mm ... 8 mm
Mechanical lifetime	30,000 switching cycles

Switching function

Latching function

Switching position

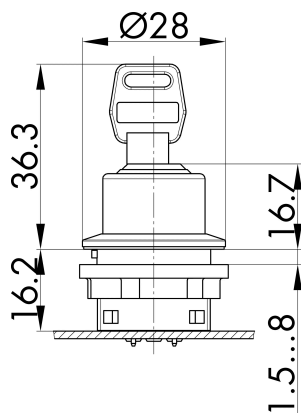
0° zero position
90° maintained, key removable

Note

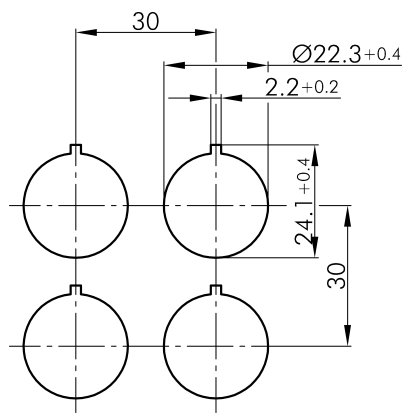
- Includes 2 keys
- Different locking possible on request

Technical drawings

→ Dimensional drawing



→ Cutout dimensions



→ Position indicator

