

Datasheet

→ **QRBLUVOOI_C1190** 

05/14/2025



Technical data

Emergency stop with illuminated anti-lock collar and M12 connection 5-pin, A-coded

Type	QRBLUVOOI_C1190
Series	QUARTEX® connect
Rubric	Emergency-stop
Approvals	CE, TÜV_Süd, cURus



→ General data

Connection cable	< 30 m
Design	Round
Illumination	Yes
Can be labeled	No
Operating temperature	-30 °C ... 70 °C
Panel cut-out	Ø 22.3 mm
Lens colour	Red
Contact material	AgNi
Storage temperature	-40 °C ... 80 °C
Degree of protection front	IP65
Degree of protection rear	IP54 with connected M12
Degree of protection NEMA information acc. to UL	NEMA 1

→ General note

Safety instructions / installation instructions

- Not suitable for use under water
- Use only in dry indoor area
- Observe operating instructions!

Lit when actuated

→ Electrical data

<i>Rated operating voltage</i> IEC/EN 60947-5-1	35 V AC 35 V DC
<i>Rated operating current</i> IEC/EN 60947-5-1	2 A AC 2 A DC
<i>Rated insulation voltage</i> IEC/EN 60947-5-1	50 V AC 50 V DC
<i>Contact resistance</i>	< 50 mΩ NC
<i>Electrical lifetime</i>	50,000 switching cycles at rated voltage
<i>Contact type</i>	2NC
<i>Illuminant</i>	LED
<i>Operating temperature illuminant</i>	max. 24 V DC ± 10 %
<i>Bouncing time</i>	< 10 ms NC
<i>Rating information acc. to UL</i>	Ui 50 V 35 V AC/DC 2 A AC/DC lth 2 A
<i>Switching capacity</i>	35 V AC/DC 2 A AC/DC
<i>Thermal continuous current</i> IEC/EN 60947-5-1	2 A AC 2 A DC
<i>Overvoltage category</i>	II
<i>Pollution degree</i>	2

→ Electrical note

Safety instructions / installation instructions

- The connector must not be connected or disconnected under load
- The individual connector pin may be loaded with max. 2A

Pin assignment

Pin1	COM: NC1 (11), NO1 (LED+)
Pin2	NC2 (22)
Pin3	LED-
Pin4	NC1 (12)
Pin5	NC2 (21)

→ Mechanical data

<i>Connection</i>	M12 A coded
<i>Actuating force</i>	Approx. 30 N ... 40 N at 20 mm/min
<i>Anti-lock collar</i>	Yes
<i>Tightening torque fixing nut</i>	1 Nm ... 1.9 Nm
<i>Mounting position</i>	Any
<i>Release</i>	Twist to release left/right
<i>Mechanical lifetime</i>	50,000 switching cycles
<i>Switching function</i>	Maintained
<i>Switching position indicator</i>	Yes
<i>Torque information acc. to UL</i>	Min. 1 Nm head nut Max. 1.9 Nm head nut
<i>Positive opening</i>	Acc. to EN60947-5-1, appendix K

→ Mechanical note

Safety instructions / installation instructions

- The M12 connection must not be subjected to mechanical loads, ensure sufficient strain relief!
- Observe torque specifications for mounting nut, use mounting wrench S22

Installation panel thickness

- without protective collar: 1.0...5.0 mm
Fastening nut: standard nut M22
- With protective collar QRSK64(S): 1.0...4.0 mm
Fastening nut: use nut M15.277.4B enclosed with the protective collar!

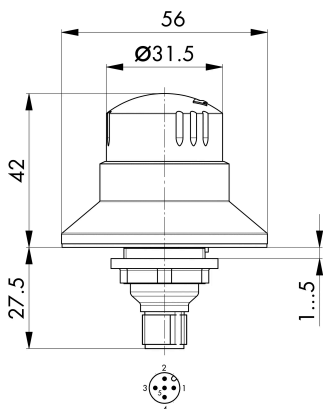
→ Safety data

B10d 250,000 5V/6mA

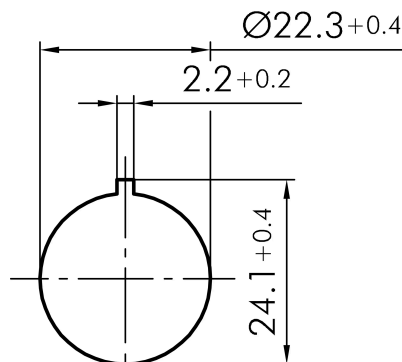
Lifetime 20 % NC

Technical drawings

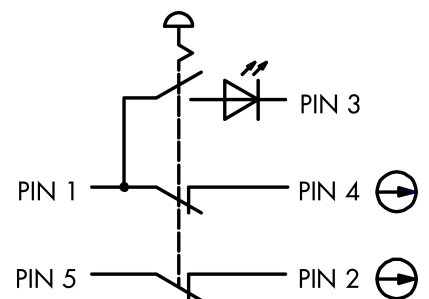
→ Dimensional drawing



→ Cutout dimensions



→ Circuit diagram



Awards



reddot winner 2023
industrial design



FOCUS OPEN 2024
Special Mention