

Datasheet

→ JRMSSA13E [↗](#)

03/10/2026



Technical data

Key actuator, maintained

Type	JRMSSA13E
Series	RONDEX-JUWEL®
Rubric	Key-operated switch
Approvals	CCC, CE, cULus, DNVGL, UKCA



Illustration similar

→ General data

Design	Round
Operating temperature	-25 °C ... 70 °C
Panel cut-out	Ø 22.3 mm
Front bezel colour	Silver-coloured
Weight	35.8 g
Storage temperature	-40 °C ... 80 °C
Standards	EN 60947-5-1 EN 61058-1
Degree of protection front	IP65

→ Mechanical data

Operating travel	6 mm
Tightening torque fixing nut	1.5 Nm ... 2.2 Nm

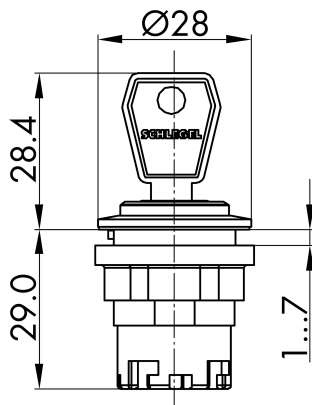
Mounting position	Any
Mounting plate thickness	1,0 mm ... 7,0 mm
Switching function	Latching function
Switching position	-90° maintained 0° key removable 90° maintained

Note

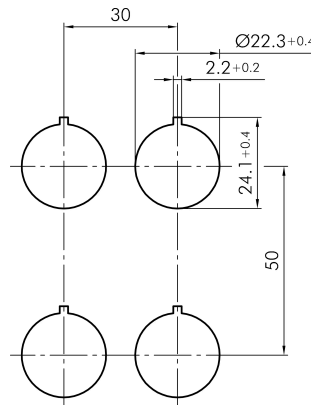
- Includes 2 keys
- Differential locking possible on request
- SSA...key button suitable for the following contact elements: MT..., ET..., DT..., DST...

Technical drawings

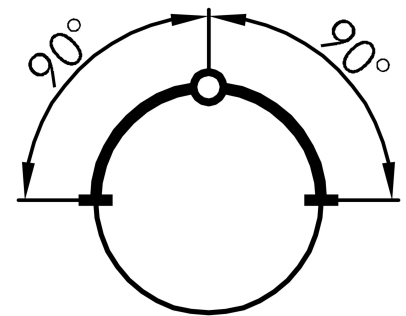
→ Dimensional drawing



→ Cutout dimensions



→ Position indicator



Awards



reddot award 2018
winner