

Datasheet

→ KRJMZSSA 12E

03/09/2026



Technical data

Latching key switch (two-part plunger)

Type	KRJMZSSA12E
Series	KOMBITAST®-R-JUWEL
Rubric	Key-operated switch
Approvals	CCC, CE, cULus, UKCA



Illustration similar

→ General data

Design	Round
Operating temperature	-40 °C ... 70 °C
Panel cut-out	Ø 30.5 mm
Front bezel colour	Silver-coloured
Storage temperature	-50 °C ... 85 °C
Degree of protection front	IP65

→ Mechanical data

Tightening torque fixing nut	max. 2.5 Nm
Mounting position	Any
Mounting plate thickness	1 mm ... 8 mm
Switching function	Latching function

Switching position

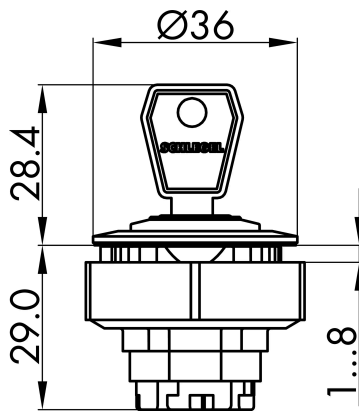
-90° maintained, key removable
 0° key removable
 90° maintained, key removable

Note

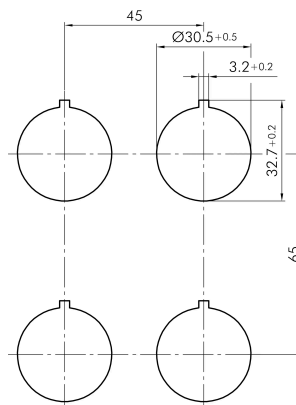
- Includes 2 keys
- Different locking possible on request

Technical drawings

→ Dimensional drawing



→ Cutout dimensions



→ Position indicator

