

Datasheet

→ **YTGG** 

11/11/2025



Technical data

Pushbutton, non-transparent lens

Type	YTGG
Series	mYnitron®
Rubric	Pushbutton
Approvals	CE, cURus, UKCA



→ General data

Design	Round
Labelling option	Yes
Operating temperature	-25 °C ... 70 °C
Panel cut-out	Ø 16.2 mm
Mounting depth	18 mm
Lens colour	Green
Front bezel colour	Black
Contact material	Stainless steel 1.4310 gold-plated Snap dome CuZn37 gold-plated Counter contact
Storage temperature	-40 °C ... 80 °C
Standards	IEC/EN 60947-5-1
Grid spacing	25 x 25 mm
Degree of protection front	IP65 IP67

Note

- Labeling possible on request

→ Electrical data

<i>Rated operating voltage</i> IEC/EN 60947-5-1	35 V AC 35 V DC
<i>Rated operating current</i> IEC/EN 60947-5-1	0.1 A AC 0.1 A DC
<i>Rated insulation voltage</i> IEC/EN 60947-5-1	42 V AC 42 V DC
<i>Contact resistance</i>	< 100 mΩ NO new state
<i>Electrical lifetime</i>	500,000 switching cycles at rated voltage
<i>Enclosure type</i> information acc. to UL	Type 1
<i>Utilisation category</i> IEC/EN 60947-5-1	AC12 DC12
<i>Contact type</i>	1NO
<i>Bouncing time</i>	< 5 ms NO
<i>Rating</i> information acc. to UL	max. 30 V AC max. 42.4 V Peak 100 mA Class 2
<i>Switching capacity</i>	35 V 100 mA AC/DC
<i>Breaking capacity</i> IEC/EN 60947-5-1	1 W AC Ohmsche Last 1 W DC Ohmsche Last
<i>Minimum voltage</i>	20 mV
<i>Current minimal</i>	10 µA
<i>Thermal continuous current</i> IEC/EN 60947-5-1	100 mA AC 100 mA DC
<i>Overvoltage category</i>	II
<i>Pollution degree</i>	2

Note

- Use partially insulated blade receptacles (see accessories)

→ Mechanical data

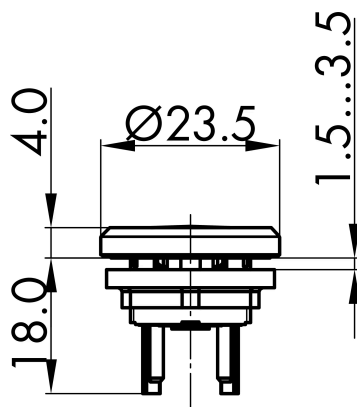
Connection	Faston terminals connector 2,8 mm x 0,5 mm
Operating travel	1 mm
Tightening torque fixing nut	max. 0.7 Nm
Mounting position	Any
Mechanical lifetime	500,000 switching cycles
Switching function	Momentary function
Tactile	Yes

Note

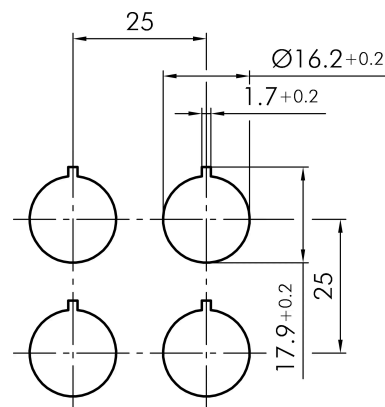
- The blade terminals are not suitable for manual soldering!

Technical drawings

→ Dimensional drawing



→ Cutout dimensions



→ Circuit diagram

