

Datasheet

→ **KRBUV** 

01/08/2026



Technical data

Emergency-stop head

Type	KRBUV
Series	KOMBITAST®-R
Rubric	Emergency-stop
Approvals	CCC, CE, UKCA



→ General data

Design	Round
Labelling option	No
Operating temperature	-30 °C ... 70 °C
Panel cut-out	Ø 30.5 mm
Lens colour	Red
Front bezel colour	Yellow
Storage temperature	-50 °C ... 85 °C
Standards	EN 60947-5-1 EN 60947-5-5 EN ISO 13850

Degree of protection front IP65

- with switching position indicator - yellow anti-lock collar - foolproof acc. to EN ISO 13850

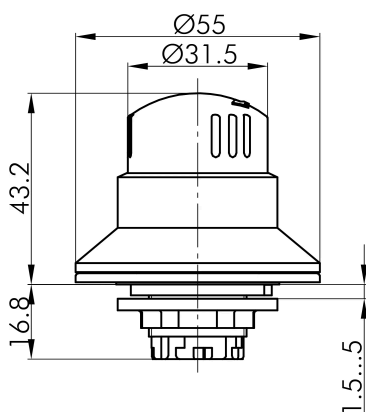
→ Mechanical data

Anti-lock collar	Yes
------------------	-----

<i>Tightening torque fixing nut</i>	2.5 Nm
<i>Mounting position</i>	Any
<i>Release</i>	Twist to release left/right
<i>Mechanical lifetime</i>	50,000 switching cycles
<i>Switching position indicator</i>	Yes
<i>Foolproof</i>	true
<i>Enabling function</i>	No

Technical drawings

→ Dimensional drawing



→ Cutout dimensions

