

Datasheet

→ RRJSSA15

02/15/2026



Technical data

Key actuator, maintained

Type	RRJSSA15
Series	Rontron-R-Juwel
Rubric	Key-operated switch
Approvals	CCC, CE, cURus, UKCA



→ General data

Design	Round
Operating temperature	-25 °C ... 70 °C
Panel cut-out	Ø 22.3 mm
Front bezel colour	Silver-coloured
Storage temperature	-50 °C ... 85 °C
Degree of protection front	IP65

→ Electrical data

Enclosure type	Type 4x indoor
----------------	----------------

→ Mechanical data

Tightening torque fixing nut	max. 1.5 Nm
Mounting position	Any
Mounting plate thickness	1.5 mm ... 5 mm

Switching function

Latching function

Switching position

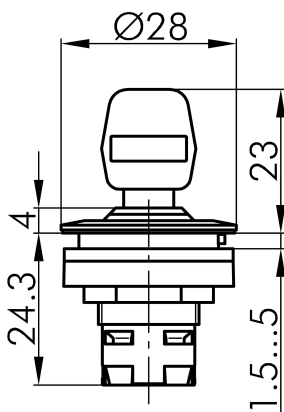
0° key removable
90° maintained, key removable

Note

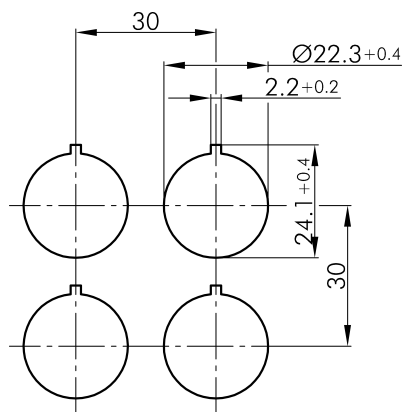
- Includes 2 keys
- Different locking possible on request

Technical drawings

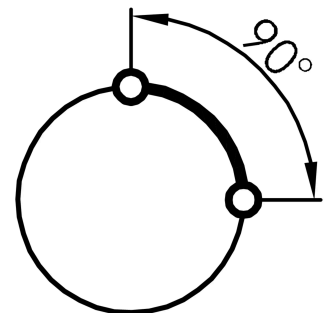
→ Dimensional drawing



→ Cutout dimensions



→ Position indicator



Awards

