

Datasheet

→ RVASSA15E_WS

03/10/2026



Technical data

Key actuator, maintained

Type	RVASSA15E_WS
Series	RVA
Rubric	Key-operated switch
Approvals	CE, UKCA



→ General data

Design	Round
Operating temperature	-25 °C ... 70 °C
Panel cut-out	Ø 22.3 mm
Lens colour	Stainless steel
Front bezel colour	Stainless steel
Front ring colour	White
Storage temperature	-40 °C ... 80 °C
Degree of protection front	IP65

→ Mechanical data

Operating travel	± 45 °
Mounting plate thickness	1 mm ... 7 mm
Switching function	Latching function

Switching position

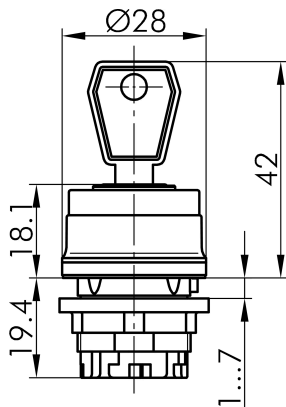
0° key removable
90° maintained, key removable

Note

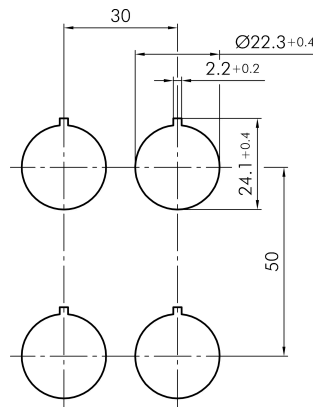
- Includes 2 keys
- Different locking possible on request

Technical drawings

→ Dimensional drawing



→ Cutout dimensions



→ Position indicator

