

SSSA12II_M08

09.12.2021

Key-operated switch, maintained



General Data

Type reference	SSSA12II_M08
Description	Pre-assembled emergency-stop pushbutton with M12 connector
Approvals	CE, cURus, ENEC10, VDE, UKCA
Contact type	2 NO
Degree of protection	IP65 (in the front and on the rear)
Connection type	4-pole M12 with PUR cable, A coded; length 150 cm; wires 4x 0,34 mm ² (AWG22)
Contact material	AgNi
Max. storage temperature	-40°C ... 80°C
Max. operating temperature	-25°C ... 70°C
Mechanical life	30,000 switching cycles
Electrical life (rated load)	30,000 switching cycles at rated load
Contact resistance NO	< 300 mOhm (150 cm cable, AgNi contact block, new state)
Bouncing time NO	< 10ms

Electrical data acc. to IEC/EN 60947-5-1 (VDE 0660 Sect. 200)

	alternate current	direct current
Utilisation category	AC15	DC13
Rated insulation voltage U _i	250 V	250 V
Rated operating voltage U _e	35 V	35 V
Rated operating current I _e	4 A	2 A
Breaking capacity	-	-
Continuous thermal current	4 A	-

Additional data

Mounting aperture	22.3 mm
Tightening torque (mounting nut)	1.5 ... 1.9 Nm
Mounting position	any
Standards	EN 60947-5-1, EN 61058-1



Material group	I
Overvoltage category	II
Pollution degree	2

Note

I = NO contact
- 3-position key switch, maintained

Switch information:
- Shortron range
- silver-coloured front ring
- sealed on rear

Connecting cable:
- PUR cable with M12 connector straight, black
- integrated strain relief
- cable diameter: 4.7 mm
- length: 150±5cm
- bending radius moving: 10 x cable diameter
- bending radius fixed: 5 x cable diameter

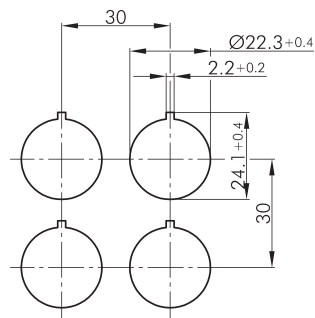
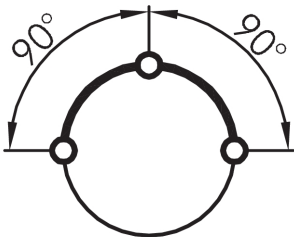
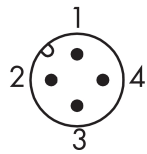
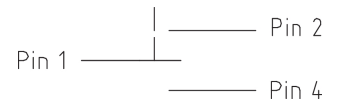
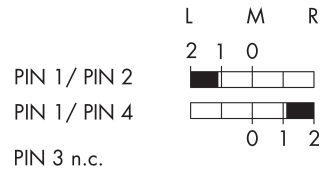
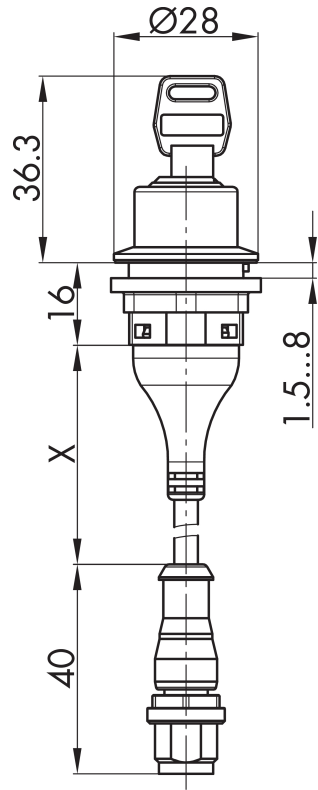
Pin assignment:
Pin1 Pin2 Pin3 Pin4
COM NO (1) n.c. NO (2)

Attention:
The common changeover contact (COM-Pin1) may be loaded with max. 4A

Data acc. to UL508

Ratings 24 V DC 2 A General Purpose





Légende:
I=Position de commutation >=Rappel par ressort O=Retrait de la clé

Légende:
I= Schaltstellung >= Federrückzug O= Schlüsselabzugstellung

Legend:
I= Switching position >= Spring return O= Key removable position

