

Datasheet

→ **RRJTLR** 

10/06/2025



Technical data

Pushbutton head with ring illumination

Type	RRJTLR
Series	Rontron-R-Juwel
Rubric	Pushbutton
Approvals	CCC, cCSAus, CE, cURus, UKCA



→ General data

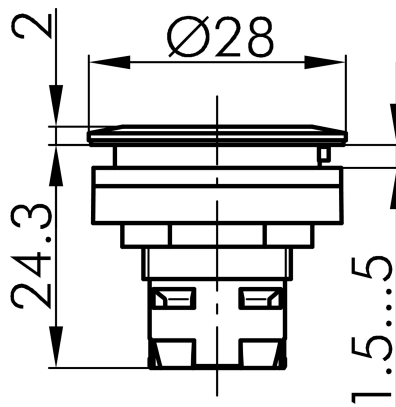
Design	Round
Illumination	Yes
Operating temperature	-30 °C ... 70 °C without illumination -30 °C ... 55 °C for incandescent lighting -30 °C ... 65 °C for LED illumination
Panel cut-out	Ø 22.3 mm
Lens colour	Silver-coloured
Front bezel colour	Silver-coloured
Colour illuminated ring	Clear
Storage temperature	-50 °C ... 85 °C
Ring illumination	Yes
Degree of protection front	IP65 IP66 IP69K

→ Mechanical data

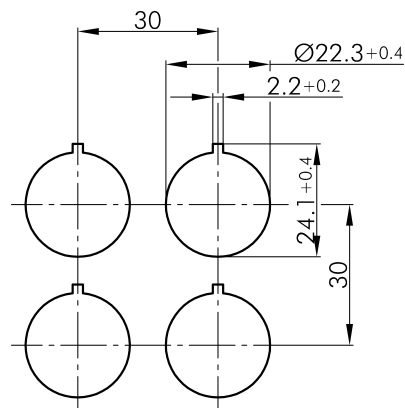
Operating travel	3 mm
Tightening torque fixing nut	max. 1.5 Nm
Mechanical lifetime	1,000,000 switching cycles
Switching function	Momentary function

Technical drawings

→ Dimensional drawing



→ Cutout dimensions



Awards

