

Datasheet

→ **QRSSA18E** 

03/09/2026



Technical data

Key actuator, maintained

Type	QRSSA18E
Series	QUARTEX®-R
Rubric	Key-operated switch



→ General data

Design	Square
Panel cut-out	Ø 22.3 mm
Front bezel colour	Charcoal
Front ring colour	Dark grey
Degree of protection front	IP65

→ Mechanical data

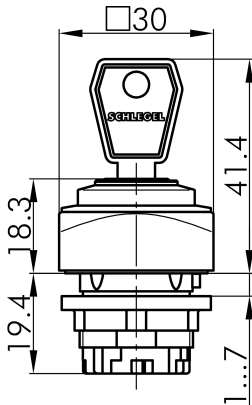
Switching function	Latching function
Switching position	-45° key removable 45° maintained, key removable

Note

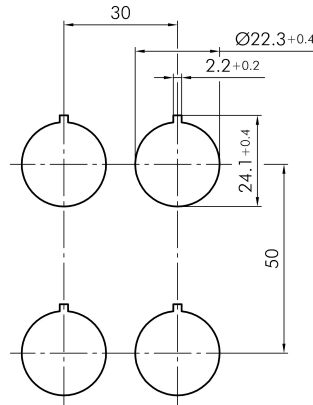
- Includes 2 keys
- Different locking possible on request

Technical drawings

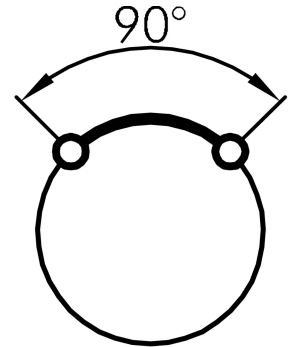
→ Dimensional drawing



→ Cutout dimensions



→ Position indicator



Awards



design award
winner

2004