

Datasheet

→ **OKWAL_GN** 

05/18/2026



Technical data

Illuminated selector head, maintained

Type	OKWAL_GN
Series	OKTRON®
Rubric	Selector head
Approvals	CE, UKCA



→ General data

Design	Square
Illumination	Yes
Operating temperature	-25 °C ... 70 °C
Panel cut-out	Ø 16.2 mm
Lens colour	Green
Front bezel colour	Charcoal
Storage temperature	-50 °C ... 85 °C
Degree of protection front	IP65

→ Mechanical data

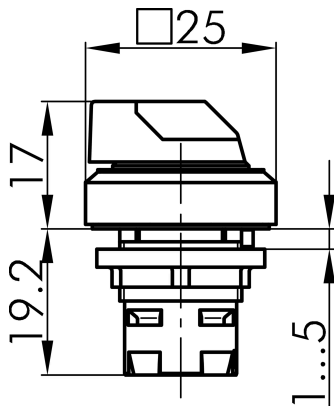
Mounting position	Any
Mounting plate thickness	1 mm ... 5 mm
Switching function	Latching function

Switching position

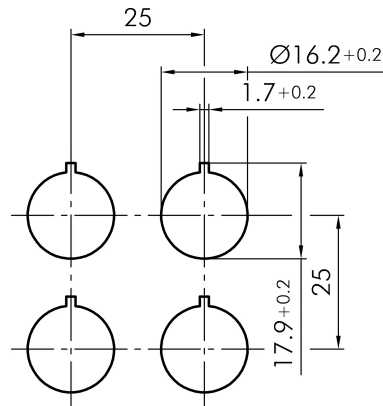
-45° zero position
45° maintained

Technical drawings

→ Dimensional drawing



→ Cutout dimensions



→ Position indicator

