

Datasheet

→ **RMCSSA23E**

03/10/2026



Technical data

Key actuator, momentary

| | |
|-----------|---------------------|
| Type | RMCSSA23E |
| Series | RONDEX-M |
| Rubric | Key-operated switch |
| Approvals | CCC, CE, CSA, UKCA |



→ General data

| | |
|----------------------------|-------------------|
| Design | Round |
| Operating temperature | -30 °C ... 70 °C |
| Panel cut-out | Ø 22.3 mm |
| Front bezel colour | Metallic/charcoal |
| Storage temperature | -50 °C ... 85 °C |
| Degree of protection front | IP65 |

→ Mechanical data

| | |
|--------------------------|--------------------|
| Operating travel | ± 90 ° |
| Mounting position | Any |
| Mounting plate thickness | 1 mm ... 7 mm |
| Switching function | Momentary function |

Switching position

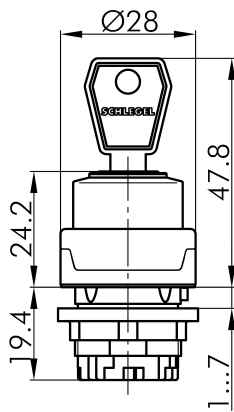
-45° momentary
0° key removable
45° momentary

Note

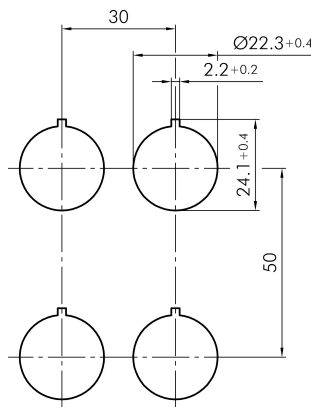
- Includes 2 keys
- Different locking possible on request

Technical drawings

→ Dimensional drawing



→ Cutout dimensions



→ Position indicator

