

# Datasheet

## → QRSSA14E\_RGN

03/09/2026



### Technical data

Key actuator, maintained

Type	QRSSA14E_RGN
Series	QUARTEX®R
Rubric	Key-operated switch



### → General data

Design	Square
Panel cut-out	Ø 22.3 mm
Front bezel colour	Charcoal
Front ring colour	Green
Degree of protection front	IP65

### → Mechanical data

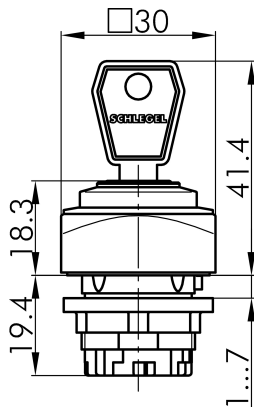
Switching function	Latching function
Switching position	0° key removable 90° maintained

#### Note

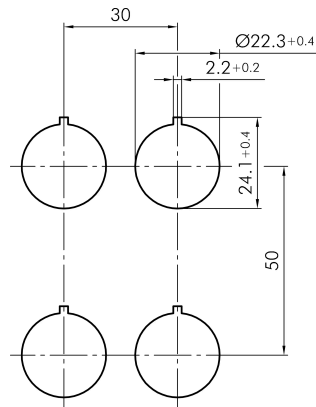
- Includes 2 keys
- Different locking possible on request

## Technical drawings

→ Dimensional drawing



→ Cutout dimensions



→ Position indicator

