

Datasheet

→ **SSWCFTF** 

03/16/2026



Technical data

Tactile membrane button

Type	SSWCFTF
Series	SHORTRON®
Rubric	Membrane pushbutton
Approvals	CE, cURus, ENEC10, VDE, UKCA



→ General data

Design	Round
Labelling option	Yes
Operating temperature	-25 °C ... 70 °C
Panel cut-out	Ø 22.3 mm
Mounting depth	22.6 mm
Front bezel colour	Black
Front ring colour	Black
Storage temperature	-40 °C ... 80 °C
Standards	EN 61058-1
Degree of protection front	IP66 IP67 IP69K

→ Electrical data

Contact resistance	< 100 mΩ NC new state < 50 mΩ NO new state
--------------------	---

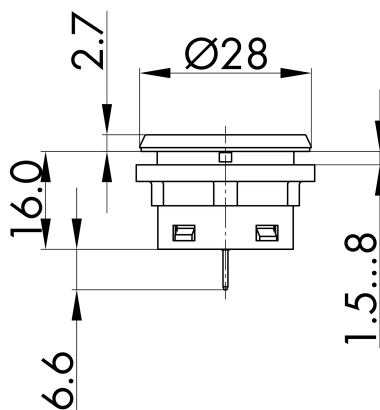
<i>Electrical lifetime</i>	1,000,000 switching cycles at rated voltage
<i>Contact type</i>	1CO
<i>Rated voltage</i>	20 mV ... 48 V AC/DC
<i>Rated current</i>	0.01 mA ... 100 mA
<i>Bouncing time</i>	< 10 ms NO < 10 ms NC
<i>Rating information acc. to UL</i>	20 mV 48 V AC/DC 0.01 mA 100 mA max. 250 mW
<i>Switching capacity</i>	48 V AC/DC 100 mA AC/DC

→ Mechanical data

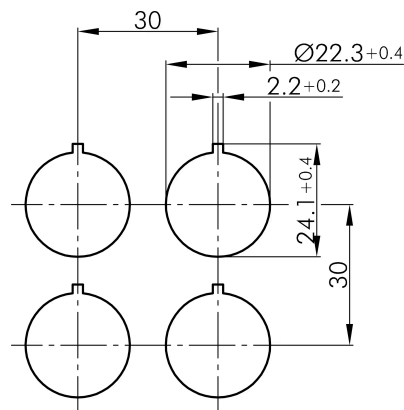
<i>Connection</i>	Faston terminals 2.8 mm x 0.8 mm
<i>Operating travel</i>	1.8 mm
<i>Tightening torque fixing nut</i>	1.5 Nm ... 1.9 Nm
<i>Mounting position</i>	Any
<i>Mechanical lifetime</i>	1,000,000 switching cycles 20°C
<i>Tactile</i>	Yes

Technical drawings

→ Dimensional drawing



→ Cutout dimensions



→ Circuit diagram

