

Datasheet

→ **RMCSA24E**

03/10/2026



Technical data

Key actuator, left maintained, right momentary

Type	RMCSA24E
Series	RONDEX-M
Rubric	Key-operated switch
Approvals	CCC, CE, CSA, UKCA



→ General data

Design	Round
Operating temperature	-30 °C ... 70 °C
Panel cut-out	Ø 22.3 mm
Front bezel colour	Metallic/charcoal
Storage temperature	-50 °C ... 85 °C
Degree of protection front	IP65

→ Mechanical data

Operating travel	± 90 °
Mounting position	Any
Mounting plate thickness	1 mm ... 7 mm
Switching function	Momentary and latching function

Switching position

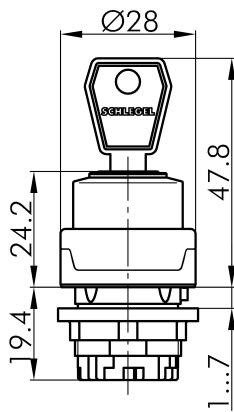
-45° maintained
0° key removable
45° momentary

Note

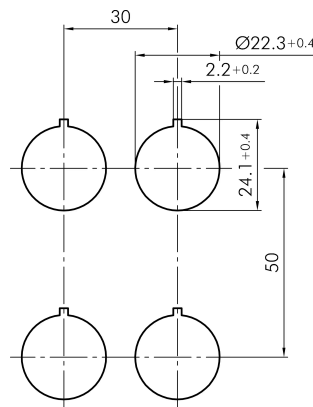
- Includes 2 keys
- Different locking possible on request

Technical drawings

→ Dimensional drawing



→ Cutout dimensions



→ Position indicator

