

SSSA15OI_M01

09.12.2021

Key-operated switch, maintained



General Data

Type reference	SSSA15OI_M01
Description	Pre-assembled emergency-stop pushbutton with M12 connector
Approvals	CE, cURus, ENEC10, VDE, UKCA
Contact type	1 NC + 1 NO
Degree of protection	IP65 (in the front and on the rear)
Connection type	4-pole M12 with PUR cable, A coded; length 25 cm; wires 4 x 0.34 mm ² (AWG22)
Contact material	AgNi
Max. storage temperature	-40°C ... 80°C
Max. operating temperature	-25°C ... 70°C
Mechanical life	30,000 switching cycles
Electrical life (rated load)	30,000 switching cycles at rated load
Contact resistance NO	< 100 mOhm (25 cm cable, AgNi contact block, new state)
Contact resistance NC	< 100 mOhm (25 cm cable, AgNi contact block, new state)
Bouncing time NO	< 10ms
Bouncing time NC	< 10ms
Positive opening contact	acc. to EN60947-5-1, appendix K

Electrical data acc. to IEC/EN 60947-5-1 (VDE 0660 Sect. 200)

	alternate current	direct current
Utilisation category	AC15 B300	DC13 Q300
Rated insulation voltage U _i	250 V	250 V
Rated operating voltage U _e	240 V / 120 V	250 V / 125 V
Rated operating current I _e	1.5 A / 3 A	0.27 A / 0.55 A
Breaking capacity	-	-
Continuous thermal current	4 A	-

Additional data

Mounting aperture	22.3 mm
-------------------	---------



Tightening torque (mounting nut)	1.5 ... 1.9 Nm
Mounting position	any
Standards	EN 60947-5-1, EN 61058-1
Material group	I
Overvoltage category	II
Pollution degree	2

Note

O = NC contact; I = NO contact
 - 2-position key switch, maintained

Further information acc. to IEC/EN 60947-5-1:
 AC15: 35 V~ / 4 A
 DC13: 35 V DC / 2 A

Switch information:
 - Shortron range
 - silver-coloured front ring
 - sealed on rear

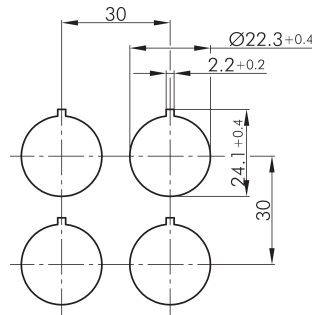
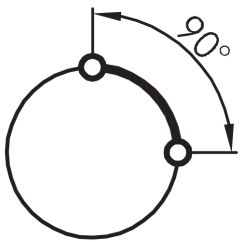
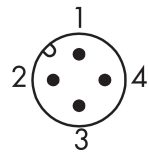
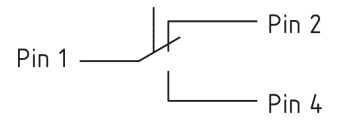
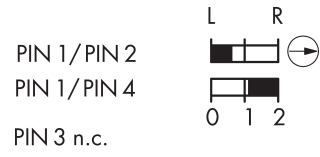
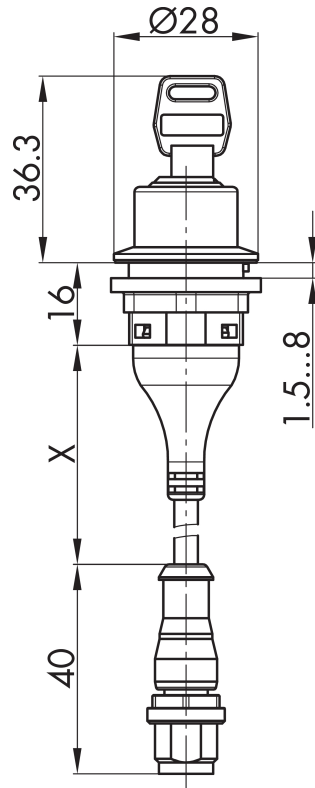
Connecting cable
 - PUR cable with M12 connector straight, black
 - integrated strain relief
 - cable diameter: 4.7 mm
 - length: 25±3cm
 - bending radius moving: 10 x cable diameter
 - bending radius fixed: 5 x cable diameter

Attention:
 The common changeover contact (COM-Pin1) may be loaded with max. 4A

Data acc. to UL508

Ratings 24 V DC 2 A General Purpose





- Légende:**
I=Position de commutation >=Rappel par ressort O=Retrait de la clé
- Légende:**
I= Schaltstellung >= Federrückzug O= Schlüsselabzugstellung
- Legend:**
I= Switching position >= Spring return O= Key removable position

