

**SWALI\_M03**

10.12.2021

**Selector switch, maintained**



**General Data**

Type reference	SWALI_M03
Description	Illuminated pre-assembled selector switch with M12 connector, 2 positions, maintained
Approvals	CE, cURus, ENEC10, VDE, UKCA
Contact type	1 NO
Degree of protection	IP65 (in the front and on the rear)
Connection type	4-pole M12 with PUR cable, A coded; length 25 cm; wires 4 x 0.34 mm <sup>2</sup> (AWG22)
Contact material	AgNi
Max. storage temperature	-40°C ... 80°C
Max. operating temperature	-25°C ... 70°C
Mechanical life	30,000 switching cycles
Electrical life (rated load)	30,000 switching cycles at rated load
Contact resistance NO	< 100 mOhm (25 cm cable, AgNi contact block, new state)
Bouncing time NO	< 10ms

**Electrical data acc. to IEC/EN 60947-5-1 (VDE 0660 Sect. 200)**

	alternate current	direct current
Utilisation category	AC15	DC13
Rated insulation voltage Ui	250 V	250 V
Rated operating voltage Ue	35 V	35 V
Rated operating current Ie	4 A	2 A
Breaking capacity	-	-
Continuous thermal current	4 A	-

**Technical Data - Lamp**

Lamp socket	none, with integrated 3 mm LED white
Max. lamp voltage	30 V AC/DC
Max. lamp output	14 mA (at 24 V DC)



### Additional data

Mounting aperture	22.3 mm
Tightening torque (mounting nut)	1.5 ... 1.9 Nm
Tightening torque (M12-connector)	max. 0.4 Nm
Mounting position	any
Standards	EN 60947-5-1, EN 61058-1
Material group	I
Overvoltage category	II
Pollution degree	2

### Note

I = NO contact

- 2-position illuminated selector switch, maintained

Selector switch:

- Shortron range
- silver-coloured front ring
- sealed on rear

Connecting cable:

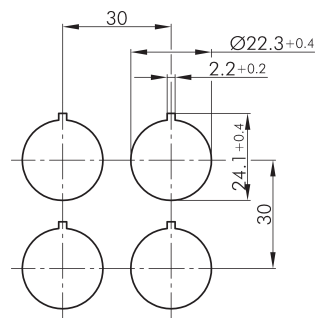
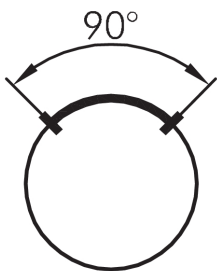
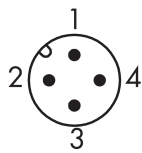
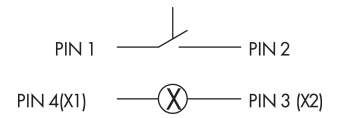
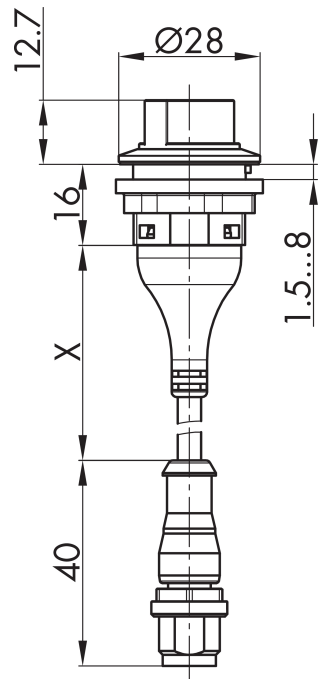
- PUR cable with M12 connector straight, black
- integrated strain relief
- cable diameter: 4.7 mm
- length: 25±3 cm
- bending radius moving: 10 x cable diameter
- bending radius fixed: 5 x cable diameter

Pin assignment:  
Pin 1 Pin 2 Pin 3 Pin 4  
NO(1) NO(1) LED - LED +

### Data acc. to UL508

Ratings	24 V DC 2 A General Purpose
Lamp rating	30 Vac/dc, 14 mA max





Legende:  
I= Schaltstellung >= Federrückzug

Legend:  
I= Switching position >= Spring return

Légende:  
I= Position de contact >= Rappel par ressort

