

**SWBII\_M08**

13.12.2021

**Selector switch, maintained**



**General Data**

Type reference	SWBII_M08
Description	Pre-assembled selector switch with M12 connector, 3 positions, maintained
Approvals	CE, cURus, ENEC10, VDE, UKCA
Contact type	2 NO
Degree of protection	IP65 (in the front and on the rear)
Connection type	4-pole M12 with PUR cable, A coded; length 150 cm; wires 4x 0,34 mm <sup>2</sup> (AWG22)
Contact material	AgNi
Max. storage temperature	-40°C ... 80°C
Max. operating temperature	-25°C ... 70°C
Mechanical life	30,000 switching cycles
Electrical life (rated load)	30,000 switching cycles at rated load
Contact resistance NO	< 300 mOhm (150 cm cable, AgNi contact block, new state)
Bouncing time NO	< 10ms

**Electrical data acc. to IEC/EN 60947-5-1 (VDE 0660 Sect. 200)**

	alternate current	direct current
Utilisation category	AC15	DC13
Rated insulation voltage Ui	250 V	250 V
Rated operating voltage Ue	35 V	35 V
Rated operating current Ie	4 A	2 A
Breaking capacity	-	-
Continuous thermal current	4 A	-

**Additional data**

Mounting aperture	22.3 mm
Tightening torque (mounting nut)	1.5 ... 1.9 Nm
Mounting position	any
Standards	EN 60947-5-1, EN 61058-1



Material group	I
Overvoltage category	II
Pollution degree	2

### Note

I = NO contact

- 3-position selector switch, maintained

Selector switch:

- Shortron range
- silver-coloured front ring
- sealed on rear

Connecting cable:

- PUR cable with M12 connector straight, black
- integrated strain relief
- cable diameter: 4.7 mm
- length: 150±5 cm
- bending radius moving: 10 x cable diameter
- bending radius fixed: 5 x cable diameter

Pin assignment:

Pin1 Pin2 Pin3 Pin4  
COM NO (1) n.c. NO (2)

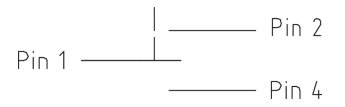
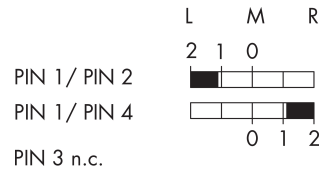
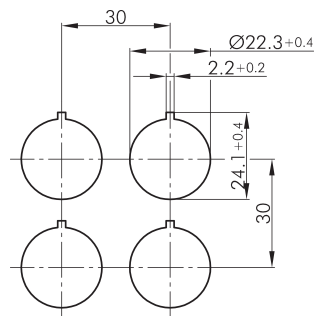
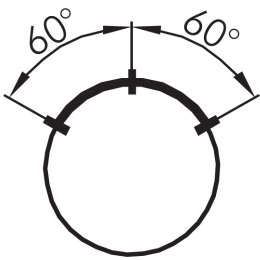
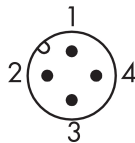
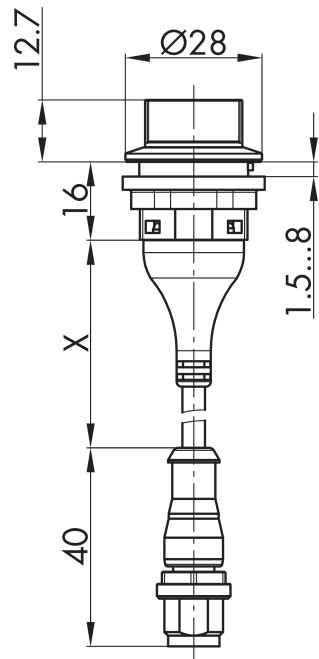
Attention:

The common changeover contact (COM-Pin1) may be loaded with max. 4 A

### Data acc. to UL508

Ratings 24 V DC 2 A General Purpose





- Legende:  
I= Schaltstellung >= Federrückzug
- Legend:  
I= Switching position >= Spring return
- Légende:  
I= Position de contact >= Rappel par ressort

