



General Data

Type reference:	BF... (without screw connection)
Description:	Contact block
Approvals:	CCC, cCSAus, DNVGL, ENEC10, VDE, CE, UR
Protection class:	II (protective insulation)
Operation travel:	3 mm
Connection type:	Faston terminals 2.8x0.8 mm / PCB-mount terminals
Contact material:	AgNi
Max. storage temperature:	-50°C ... 85°C
Max. operating temperature:	-30°C ... 70°C, without illumination -30°C ... 55°C, using incandescent lamps -30°C ... 65°C, using LEDs
Mechanical life:	1 million switching cycles
Electrical life (rated load):	1 million operations at rated load
Contact resistance NO:	< 20 mOhm (new state)
Contact resistance NC:	< 20 mOhm (new state)
Min. current:	1 mA (under laboratory conditions)
Min. voltage:	5 V
Bouncing time NO:	< 10ms
Bouncing time NC:	< 10ms

Electrical data acc. to IEC/EN 60947-5-1 (VDE 0660 Sect. 200)

	alternate current	direct current
Utilisation category:	AC15 B300	DC13 Q300
Rated insulation voltage Ui:	250 V	300 V
Rated operating voltage Ue:	250 V	250V / 125V / 60V / 24V
Rated operating current Ie:	1.5A	0.2A / 0.4A / 1A / 2A
Breaking capacity:	10Ie	1,1Ie
Continuous thermal current:	6 A	

Electrical data acc. to IEC/EN 61058-1 (VDE 0630 Sect. 1)

Rated voltage Ue:	250 V~
Rated current Ie:	6(4) A
Technical Data - Lamp	
Lamp socket:	T5,5K / W2x4,6d
Max. lamp voltage:	60V
Max. lamp output:	1.2W
Definition:	X1...anode, X2...cathode

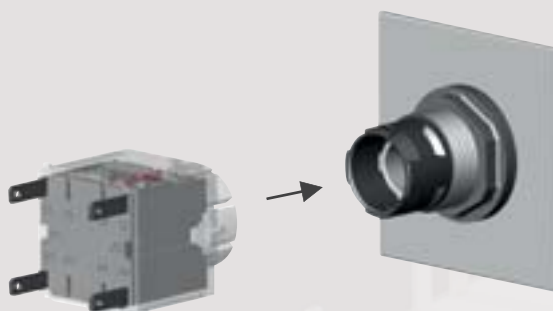
Electrical features - 5µm gold-plating, type addition _AU

Operational voltage:	20mV ... 42V AC/DC
Switching current:	1mA ... 250mA
Contact resistance (new state):	< 50 mOhm
Additional electrical data	
Overvoltage category:	II

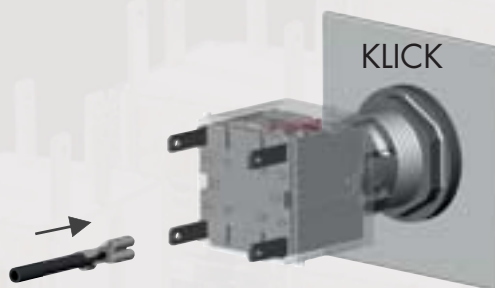
Note

O = NC contact; I = NO contact

1.



2.



3.

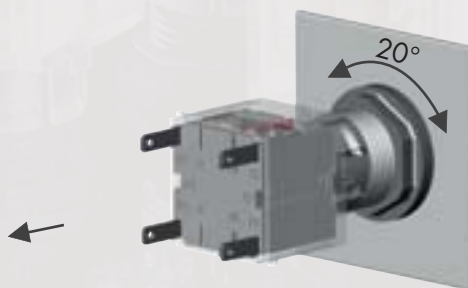


Illustration	Description	Type
--------------	-------------	------

IP00
3mm

0 1 2 3
22/21 [] [] [] []
14/13 [] [] [] []

Contact block, maintained
1NC + 1NO
Faston terminals 2.8x0.8 mm
suitable plug-in socket XAP601

suitable pushbuttons and switches:

Contact material: AgNi **BF**
AgNi, gold-plated **BF_AU**

IP00
3mm

0 1 2 3
22/21 [] [] [] []
14/13 [] [] [] []

**Illuminated contact block, main-
tained, W2x4,6d**
1NC + 1NO
Faston terminals 2.8x0.8 mm
suitable plug-in socket XAP601
Lamp socket W2x4,6d

suitable pushbuttons and switches:

Contact material: AgNi **BFL**
AgNi, gold-plated **BFL_AU**

IP00
3mm

0 1 2 3
22/21 [] [] [] []
14/13 [] [] [] []

**Illuminated contact block, main-
tained, T5,5K**
1NC + 1NO
Faston terminals 2.8x0.8 mm
suitable plug-in socket XAP601
Lamp socket T5,5K

suitable pushbuttons and switches:

Contact material: AgNi **BFL5**
AgNi, gold-plated **BFL5_AU**

IP00
3mm

0 1 2 3
24/23 [] [] [] []
14/13 [] [] [] []

Contact block, maintained
2NO
Faston terminals 2.8x0.8 mm
suitable plug-in socket XAP611

suitable pushbuttons and switches:

Contact material: AgNi **BFI**
AgNi, gold-plated **BFI_AU**

IP00
3mm

0 1 2 3
24/23 [] [] [] []
14/13 [] [] [] []

**Illuminated contact block, main-
tained, W2x4,6d**
2NO
Faston terminals 2.8x0.8 mm
suitable plug-in socket XAP611
Lamp socket W2x4,6d

suitable pushbuttons and switches:

Contact material: AgNi **BFLI**
AgNi, gold-plated **BFLI_AU**

Contact blocks BT/BF...

flat-plug connections

MADE IN GERMANY



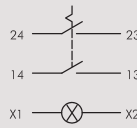
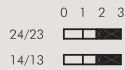
Illustration

Description

Type

IPOO

3 mm



Illuminated contact block, maintained, T5,5K

2NO

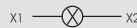
Faston terminals 2.8x0.8 mm
suitable plug-in socket XAP611
Lamp socket T5,5K

suitable pushbuttons and switches:



Contact material: AgNi **BFL15**
AgNi, gold-plated **BFL15_AU**

IPOO



Lampholder W2x4,6d

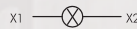
Faston terminals 2.8x0.8 mm
suitable plug-in socket XAP2
Lamp socket W2x4,6d

suitable pilot light heads:



BL4

IPOO



Lampholder T5,5K

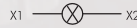
Faston terminals 2.8x0.8 mm
suitable plug-in socket XAP2
Lamp socket T5,5K

suitable pilot light heads:



BL5

IPOO



Lampholder

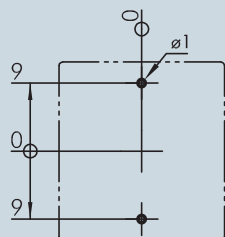
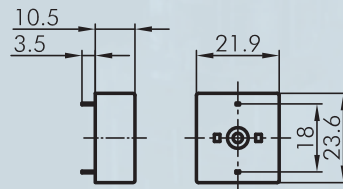
Faston terminals 2.8x0.8 mm
suitable protection plug XAL
Lamp socket W2x4,6d

suitable pilot light heads:



L4

Accessories



Plug-in socket with 2 contacts

fits the lampholders
Connection type: PCB-mount terminals

suitable contact blocks:



XAP2

About Us

Busbuttons/Switches

Panel Mount Jacks

Emergency-Stop Buttons

Bus Technology

RFD

Enclosures

Pedal Switches

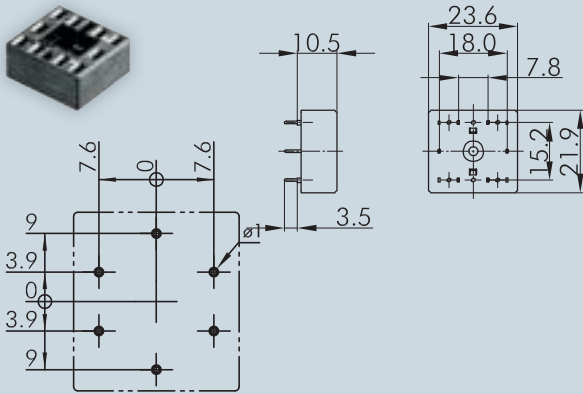
Terminal Blocks

Type Index

Illustration

Description

Type



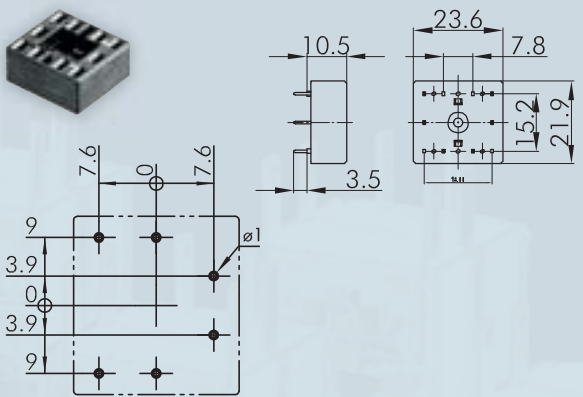
Plug-in socket with 6 contacts

Connection type: PCB-mount terminals

suitable contact blocks:

B **BZ**

XAP611



Plug-in socket with 6 contacts

Connection type: PCB-mount terminals

suitable contact blocks:

B **BZ**

XAP601



Insulating case

for Faston clamp FH2,8, slip on from the front

IH2,8



Faston clamp 2.8 x 0.8 mm with snap-in pin

cross section 0.75 - 1.50 mm², tin-plated brass, with pin to snapfit into the sockets XA, XAL and the insulating case IH2.8

FH2,8



Double Faston

for the connection of 2 Faston clamps FH2.8

FD2,8

Contact blocks BT/BF...

flat-plug connections

MADE IN GERMANY

SCHLEGEL
ELEKTROKONTAKT

About Us

Bushburners/Switches

Panel Mount Jacks

Emergency-Stop Buttons

Bus Technology

RFD

Enclosures

Pedal Switches

Terminal Blocks

Type Index

Illustration

Description

Type



Ultra-bright LED, W2x4,6d socket, 12V

with half-wave rectifier, for 12 V AC/DC (6/12 mA)
when connecting to DC, the correct polarity must be observed:
+ ... X1/- ... X2
storage temperature:
-25°C ... +80°C
ambient temperature:
-20°C ... +60°C
voltage tolerance:
+ 10 %

Colour: white

L2X4,6-12UW



Ultra-bright LED, W2x4,6d socket, 24V

with half-wave rectifier, for 24 V AC/DC (2/4 mA)
when connecting to DC, the correct polarity must be observed:
+ ... X1/- ... X2
storage temperature:
-25°C ... +80°C
ambient temperature:
-20°C ... +60°C
voltage tolerance:
+ 10 %

Colour: white

L2X4,6-24UW



Ultra-bright LED, T5,5K socket, 12V

with integrated series resistor and half-wave rectifier, for 12 V AC/DC (7/14 mA)
when connecting to DC, the correct polarity must be observed:
+ ... X1/- ... X2
storage temperature:
-25°C ... +80°C
ambient temperature:
-20°C ... +60°C
voltage tolerance:
+ 10 %

Colour: white

L5,5K12UW



Ultra-bright LED, T5,5K socket, 24V

with integrated series resistor and half-wave rectifier, for 24 V AC/DC (7/14 mA)
when connecting to DC, the correct polarity must be observed:
+ ... X1/- ... X2
storage temperature:
-25°C ... +80°C
ambient temperature:
-20°C ... +60°C
voltage tolerance:
+ 10 %

Colour: white

L5,5K24UW

Illustration

Description

Type



Two-colour LED, T5,5K socket - 24V

with built-in series resistor
 colour depending on the polarity
 storage temperature:
 -25°C ... +80°C+80°C
 ambient temperature:
 -20°C ... +60°C+60°C
 voltage tolerance
 + 10 %+ 10 %

colour:	red	green
rated current [mA]:	14	13
brightness [mcd]:	2300	650
dominant wave length [nm]:	625	525

Colour: red/green **L5,5K24RG**



LED adapter

for LEDs of 3 and 5 mm Ø to be used in T5.5K sockets
 an external resistor must be provided

suitable contact blocks:



LA5,5



Ultra-bright LED

ready-made for CTP_485
 Connection type: solder pins, grid 2.54 mm

Colour: white **LED30W**



Voltage reducer to operate an LED at 230V AC

- max. 12mA with LD9-24V/L5,5K24...
- with overvoltage protection
- attention: no electrical isolation
- there could be a dangerous voltage on the lampholder

Connection type: Faston terminals
 2.8x0.8 mm

VE_LED230_S



Cable set with Faston connections

suitable for VE_LED230

VE_VK2,8



Cable set with wire end ferrules

suitable for VE_LED230

VE_VKA8