



## General Data

Type reference:	DT...
Description:	Modular contact block, with cage-clamp technology
Approvals:	CCC, cCSAus, DNVGL, ENEC10, VDE, CE, KEMA KEUR, TÜV_Süd
Protection class:	II (protective insulation)
Operation travel:	6 mm
Connection type:	Cage-Clamp 0.08-2.5 mm <sup>2</sup>
Contact material:	AgNi
Max. storage temperature:	-40°C ... 70°C
Max. operating temperature:	-25°C ... 55°C, with/without illumination
Mechanical life:	1 million switching cycles
Electrical life (rated load):	50,000
Contact resistance NO:	< 20 mOhm (new state)
Contact resistance NC:	< 20 mOhm (new state)
Min. current:	1 mA (under laboratory conditions)
Min. voltage:	5 V
Bouncing time NO:	< 10ms
Bouncing time NC:	< 10ms
Positive opening contact:	acc. to EN60947-5-1, appendix K

## Electrical data acc. to IEC/EN 60947-5-1 (VDE 0660 Sect. 200)

	alternate current	direct current
Utilisation category:	AC15 A600	DC13 Q300
Rated insulation voltage Ui:	600 V	400V
Rated operating voltage Ue:	240V / 380V	250V / 125V / 60V / 24V
Rated operating current Ie:	3A / 1.9A	0.27 A / 0.55 A / 1 A / 2 A
Breaking capacity:	10Ie	1,1Ie
Continuous thermal current:	16 A	

## Electrical data acc. to IEC/EN 61058-1 (VDE 0630 Sect. 1)

Rated voltage Ue:	250 V~ / 400 V~
Rated current Ie:	16(10) A / 10(5) A
Technical Data - Lamp	
Lamp socket:	BA9s
Max. lamp voltage:	250V
Max. lamp output:	2 W
Definition:	X1...anode, X2...cathode

## Electrical features - 5µm gold-plating, type addition **AU**

Switching voltage:	20mV ... 42V AC/DC
Switching current:	1mA ... 250mA
Contact resistance (new state):	< 50 mOhm

## Environmental / climatic tests

Vibration resistance:	50m/s <sup>2</sup> at 5-150Hz according to DIN IEC 68 2-6
Shock resistance:	30m/s <sup>2</sup> at 50ms acc. to DIN IEC 68 2-27
Constant climatic resistance:	IEC 600-68-2-3 and 2-30

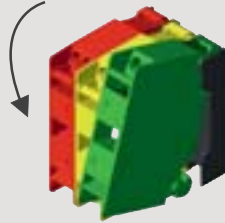
## Note

- O = NC contact; I = NO contact; ON = NC contact late break; IV = NO contact early make
- When combining the DT... contact blocks with key actuators, selector and toggle heads, add the type code ...\_497 to the actuator type reference!
- Min. operating temperature when assembled with KRJ...actuators: -40°C ...
- The use of wire end ferrules is basically possible but not necessary.

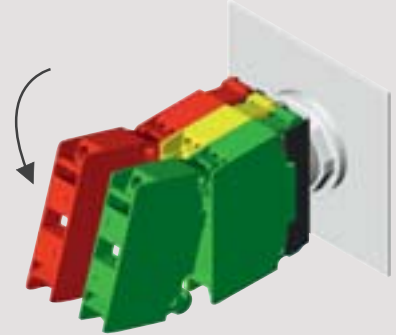
## Additional electrical data

Overvoltage category:	II
Pollution degree :	3
Glow wire testing:	750°C / 850°C

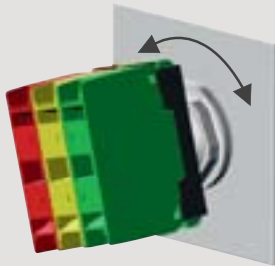
1.



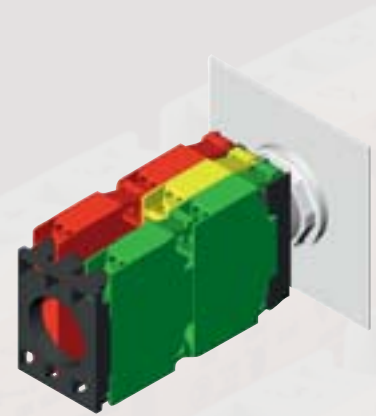
5.



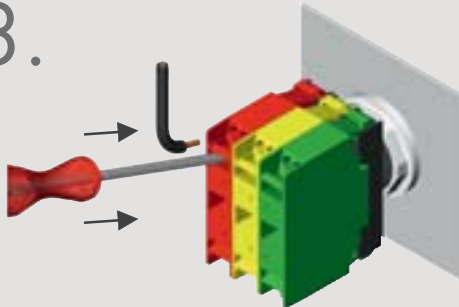
2.



6.



3.



4.

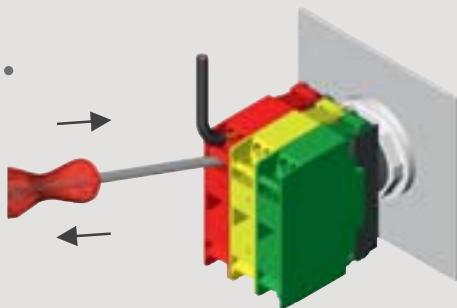

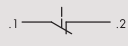


Illustration	Description	Type
--------------	-------------	------

**IP20**  
6 mm



0 1 2 3 4 5 6 7  
.1/.2



**Modular contact block, momentary 1NC**  
Cage-Clamp 0.08-2.5 mm<sup>2</sup>


TUV 300 KEMA EUR DNV GL D'E EN10

SP C US

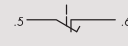
suitable pushbuttons and switches:

Contact material: AgNi **DT0**

**IP20**  
6 mm



0 1 2 3 4 5 6 7  
.5/.6




**Modular contact block, momentary 1NC late break**  
Cage-Clamp 0.08-2.5 mm<sup>2</sup>

D'E EN10

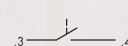
suitable pushbuttons and switches:

Contact material: AgNi **DT0N**

**IP20**  
6 mm



0 1 2 3 4 5 6 7  
.3/.4



**Modular contact block, momentary 1NO**  
Cage-Clamp 0.08-2.5 mm<sup>2</sup>


TUV 300 KEMA EUR DNV GL D'E EN10

SP C US

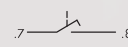
suitable pushbuttons and switches:

Contact material: AgNi **DTI**

**IP20**  
6 mm



0 1 2 3 4 5 6 7  
.7/.8




**Modular contact block, momentary 1NO early make**  
Cage-Clamp 0.08-2.5 mm<sup>2</sup>

D'E EN10

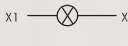
suitable pushbuttons and switches:

Contact material: AgNi **DTIV**

**IP20**



0 1 2 3 4 5 6 7  
.7/.8



**Lamp module lampholder**  
Cage-Clamp 0.08-2.5 mm<sup>2</sup>  
max. 250V 2W  
Lamp socket BA9s

KEMA EUR DNV GL SP C US

suitable pushbuttons and switches/pilot light heads:

**DL**

# Contact blocks D...

spring-clamp connections

MADE IN GERMANY



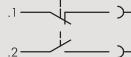
Illustration

Description

Type

IP20

6 mm



## Self-monitoring emergency contact block, momentary\*

### 1NC (+ 1NO)

Cage-Clamp 0.08-2.5 mm<sup>2</sup>

\*) 1 NC, 1NO and 1 safety contact consisting of 1 emergency NC connected in series to 1 NO which is always closed during operation and disconnects automatically on separation of the actuator from the modular contact.

suitable pushbuttons and switches



Contact material

AgNi

DMTOSFA



## Dummy module

used in case of several levels to fill the positions not occupied

DB



## Module holder for 3 modules

with bayonet, to combine the modular contact blocks with the actuators



DMR



## Module holder

for modules from second level on

DMA

## Accessories



### Ultra-bright LED, BA9s socket

with integrated bridge rectifier for 24V AC/DC, 15mA

Colour:

white

LD9-24UW



### Mega-bright LED, BA9s

with integrated bridge rectifier for 24V .. 28V AC/DC, 15.5mA (typ. 24V)

Colour:

white

LD9-24MW




### Ultra-bright LED, BA9s

with integrated single-wave rectifier for 230V AC, 3mA

Colour:

white

LD9-230UW

Illustration	Description	Type
	<p><b>Flashing LED, BA9s</b> for 24V</p> <p>Colour:</p> <ul style="list-style-type: none"> <li>green</li> <li>red</li> <li>yellow</li> </ul>	<p><b>LB9-24G</b></p> <p><b>LB9-24R</b></p> <p><b>LB9-24Y</b></p>



About Us

Bushbuttons/Switches  
→ Contact Blocks

Panel Mount Jacks

Emergency-Stop Buttons

Bus Technology

RFID

Enclosures

Pedal Switches

Terminal Blocks

Type Index