



General Data

Type Reference:	ET_KEF
Description:	Contact Block for base-plate mounting, with positive opening contact CE
Approvals:	CE
Nature of contact:	1NC + 1NO
Protection class:	II (protective insulation)
Connection type:	screw connection
Contact material:	AgNi
Max. storage temperature:	-50°C ... 70°C
Max. operating temperature:	-30°C ... 70°C
Mechanical life:	1 m switching cycles
Electrical life (rated load):	1 m at 250 V/10(6) A 250,000 at 250 V/16(10) A 500,000 at 250 V/5 A (AC15)
Contact resistance NO:	< 20 mOhm (new state)
Contact resistance NC:	< 20 mOhm (new state)
Min. current:	1 mA
Min. voltage:	5 V
Bouncing time NO:	< 10ms
Bouncing time NC:	< 10ms
Positive opening contact:	acc. to EN60947-5-1, appendix. K

Electrical data acc. to IEC/EN 60947-5-1 (VDE 0660 Sect. 200)

	alternate current	direct current
Utilisation category:	AC15	DC13
Rated insulation voltage Ui:	400V	400V
Rated operating voltage Ue:	250V / 400V	400V / 250V / 125V / 60V / 24V
Rated operating current Ie:	5A / 3A	0.12A / 0.2A / 0.4A / 1A / 2A
Breaking capacity:	10Ie	1,1Ie
Continuous thermal current:	10A	

Electrical data acc. to IEC/EN 61058-1 (VDE 0630 Sect. 1)

Rated voltage Ue:	250 V~ / 440 V~
Rated current Ie:	10(6) A / 6(3) A

Note

Note for emergency-stop contact blocks:

In case of inverters of the Za form (in terms of EN 60947-5-1), only the NC contact must be used for the remotely controlled safety circuit.

Pedal Switches

made in germany

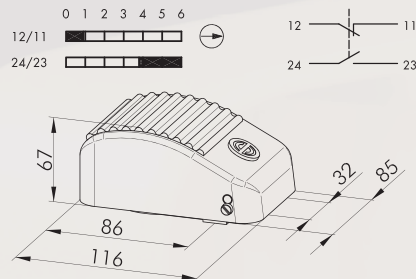


screw connection 2x2.5mm², finger-protected acc. to BGVA3

Illustration

Description

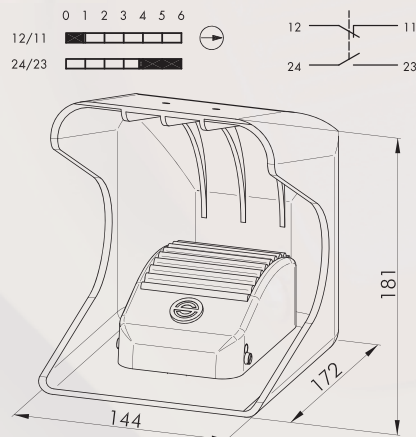
Type



Pedal Switch 1NC + 1NO

screw connection 2x2.5mm², finger-protected acc. to BGVA3 with red pedal (powder-coated) other colours on request cable entry: 1xM16x1.5 contact material AgNi

KEFM



Pedal Switch with protection cover 1NC + 1NO

screw connection 2x2.5mm², finger-protected acc. to BGVA3 with red pedal and yellow protective cover made of aluminium casting (powder-coated) other colours on request cable entry: 1x M16x1.5 contact material AgNi

KEFAM

About Us

Control Units

Panel Mount Jacks

Bus Technology

Enclosures

Terminal Blocks

→ Pedal Switches

Limit Switches

Type Index

Illustration

Description

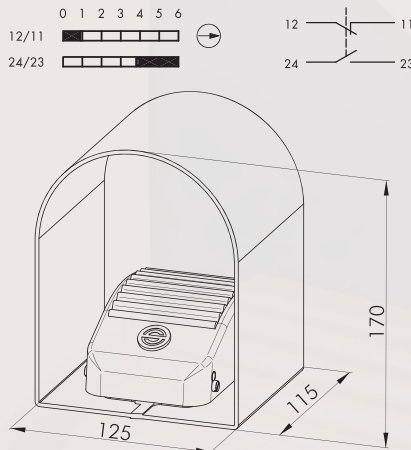
Type



**Pedal Switch with protection cover
1NC + 1NO**

screw connection 2x2.5mm², finger-protected acc. to VBG4
with red pedal and yellow protective cover made of steel sheet (powder-coated) other colours on request
cable entry: 1x M16x1.5
contact material AgNi

KEFBM



About Us

Control Units

Panel Mount Jacks

Bus Technology

Enclosures

Terminal Blocks

→ Pedal Switches

Limit Switches

Type Index