



General Data

Type reference:	ET_KEF
Description:	Contact block for base-plate mounting, with positive opening contact
Approvals:	CE
Contact type:	1NC + 1NO
Protection class:	II (protective insulation)
Connection type:	screw connection
Contact material:	AgNi
Max. storage temperature:	-50°C ... 70°C
Max. operating temperature:	-30°C ... 70°C
Mechanical life:	1 million switching cycles
Electrical life (rated load):	1 million at 250 V/10(6) A 250,000 at 250 V/16(10) A 500,000 at 250 V/5 A (AC15)
Contact resistance NO:	< 20 mOhm (new state)
Contact resistance NC:	< 20 mOhm (new state)
Min. current:	1 mA
Min. voltage:	5 V
Bouncing time NO:	< 10ms
Bouncing time NC:	< 10ms
Positive opening contact:	acc. to EN60947-5-1, appendix K

Electrical data acc. to IEC/EN 60947-5-1 (VDE 0660 Sect. 200)

	alternate current	direct current
Utilisation category:	AC15	DC13
Rated insulation voltage U_i :	400V	400V
Rated operating voltage U_e :	250V / 400V	400V / 250V / 125V / 60V / 24V
Rated operating current I_e :	5A / 3A	0.12A / 0.2A / 0.4A / 1A / 2A
Breaking capacity:	10Ie	1,1Ie
Continuous thermal current:	10A	

Electrical data acc. to IEC/EN 61058-1 (VDE 0630 Sect. 1)

Rated voltage U_e :	250 V~ / 440 V~
Rated current I_e :	10(6) A / 6(3) A

Note

Note for emergency-stop contact blocks:

In case of inverters of the Za form (in terms of EN 60947-5-1), only the NC contact must be used for the remotely controlled safety circuit.

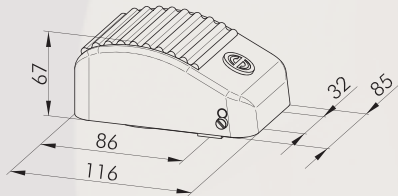
Illustration

Description

Type

IP65

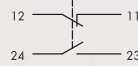
6 mm



Pedal Switch

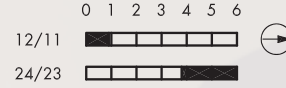
with red pedal (powder-coated)
other colours on request
Cable entry: 1xM16x1.5
Connection type:

Contact material:



colour:

screw connection 2x2.5mm²,
finger-protected acc. to BGVA3
AgNi

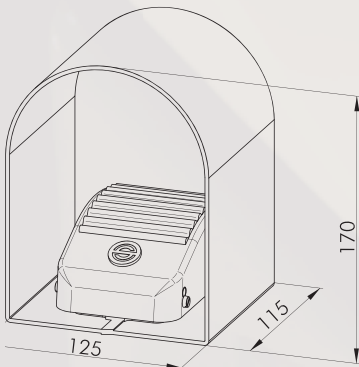


red

KEFM

IPOO

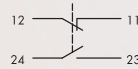
6 mm



Pedal Switch with domed protection cover

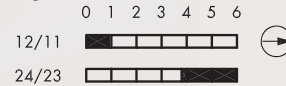
with red pedal and yellow protective cover made of steel sheet
(powder-coated)
other colours on request
Cable entry: 1x M16x1.5
Connection type:

Contact material:



colour:

screw connection 2x2.5mm²,
finger-protected acc. to VBG4
AgNi



red

KEFBM

About Us

Pushbuttons/Switches

Panel Mount Jacks

Emergency-Stop Buttons

Bus Technology

RFD

Enclosures

→ Pedal Switches

Terminal Blocks

Type Index

About Us

Pushbuttons/Switches

Panel Mount Locks

Emergency-Stop Buttons

Bus Technology

RFID

Enclosures

→ Pedal Switches

Terminal Blocks

Type Index

